

MOTOR SPEED CONTROL

CAT# MSC-6

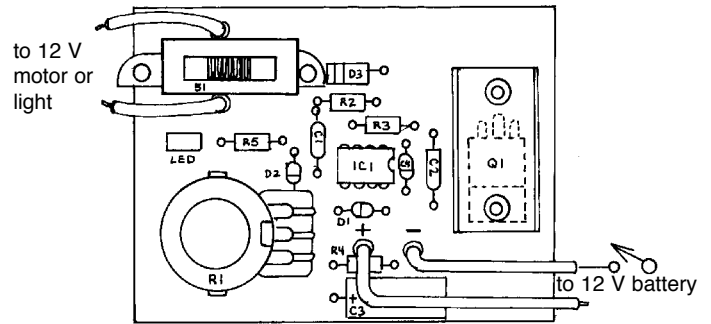
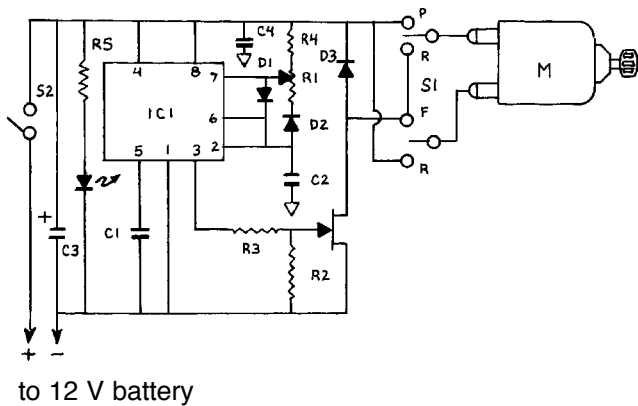


FIGURE B

RESISTORS

R1	Pot
R2	20K
R3	1K
R4	1K
R5	470 ohm

CAPACITOR

C1,C4	104 or 0.1 or 0.3
C2	0.082
C3	100uf

DIODES

D1, D2	SIGNAL DIODE
D3	3A-300V (large) (MR504)

MISC

Q1	Power Mosfet
IC1	555 (1455P1 or 035B)
S1	Switch
S2	Switch
M	Motor

LED

Heat Sink

PC Board

Hardware & Wire

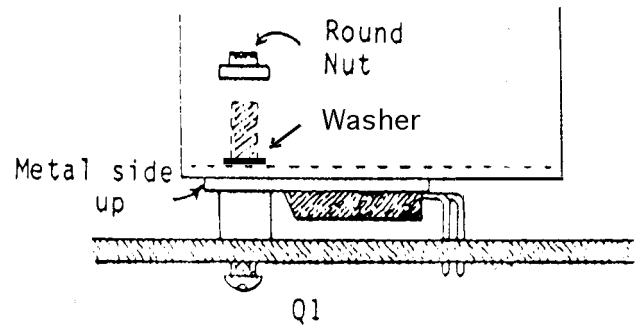


FIGURE C
MOSFET Mounting
to Heat Sink/PC Board

Please READ ALL INSTRUCTIONS BEFORE beginning assembly.

1. Insert resistors R2, R3, R4, & R5 and solder them in place. (see figure B)
2. Insert integrated circuit IC1 and capacitors C1, C2, C3 & C4 and solder.. (see figure B)
3. Insert diodes D1, D2 & D3 and LED and solder.
4. Insert potentiometer R1, solder 3 pins and trim.
5. Install motor. Solder wires from motor, next to S-1 (switch) as shown. Polarity does not matter.
6. Install S1 on the board and solder. (Trimming of 1 row of leads, may be necessary.)
7. Bend the leads on the power Mosfet and assemble as shown in figure C.
8. Attach wires for power input. Mark the positive (+) and negative (-) wires.
NOTE: All wiring should handle 10 amps.
9. A 12 volt car head light can be dimmed if it is attached to the same connections as the motor.