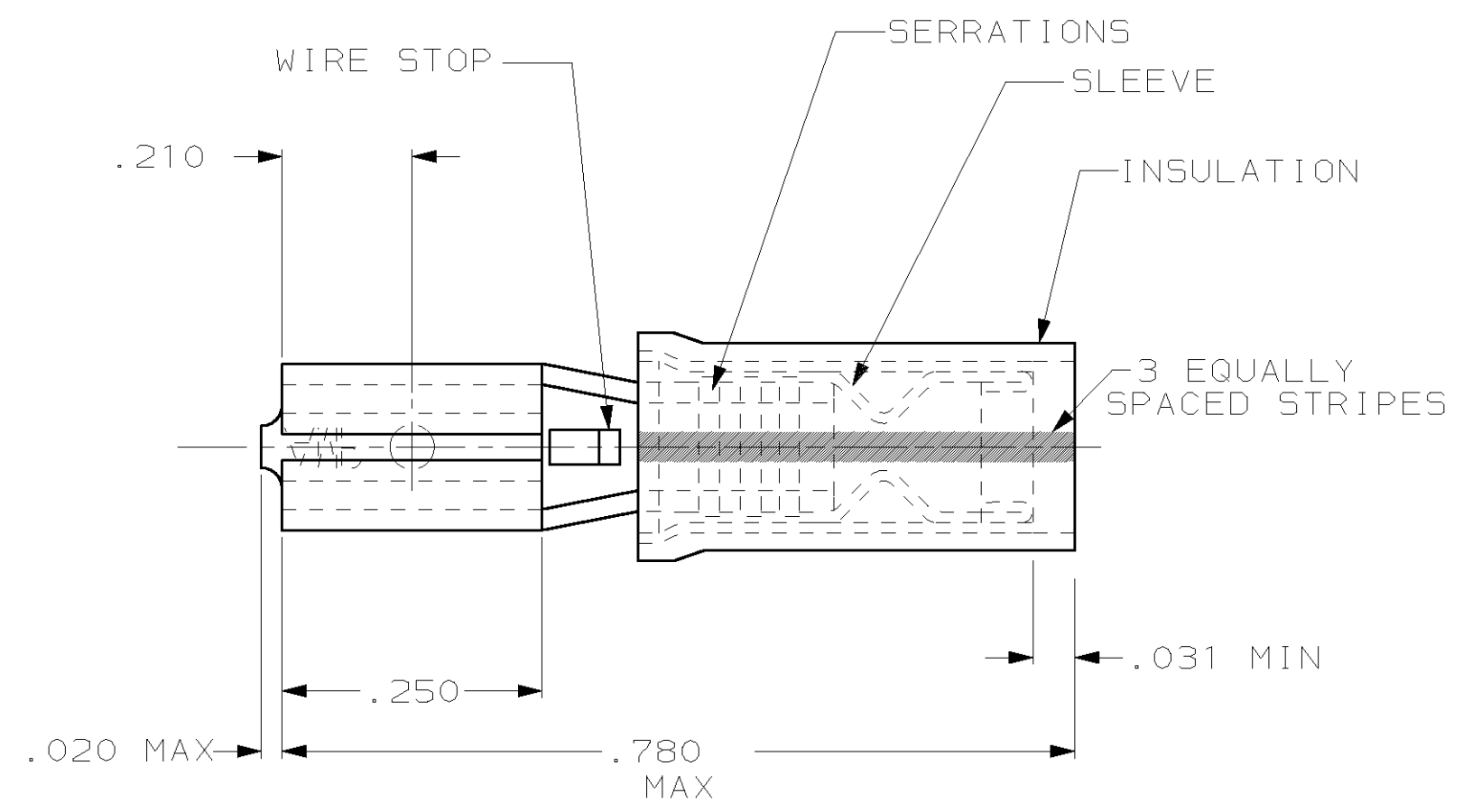
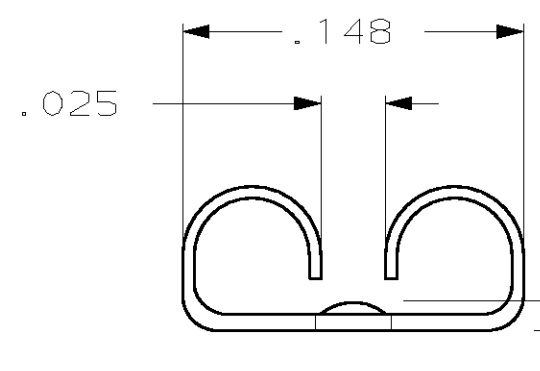


THIS DRAWING IS UNPUBLISHED. RELEASED FOR PUBLICATION, 19 .
 © COPYRIGHT 19 BY AMP INCORPORATED. ALL RIGHTS RESERVED.

LOC		DIST		REVISIONS			
P	LTR	DESCRIPTION		DATE	DWN	APVD	
G	14	F		REV PER 0G3A-0176-02	08APR02	JR	TM



- 1. FOR 22 WIRE ONLY, INSULATION RANGE .040-.080
- 2. TAB THK .016±.001



FITS "110" SERIES FASTON TAB
 (REFER TO CP-16000 FOR TAB DETAILS)

-	ON TAPE	55319-3
-	LOOSE PIECE	55319-1
QTY	PACKAGE TYPE	PART NO

AMP INCORPORATED CUSTOMER SERVICE SYSTEM		MAX RECOMMENDED OPERATING TEMPERATURE: -	THIS DRAWING IS A CONTROLLED DOCUMENT FOR AMP INCORPORATED. IT IS SUBJECT TO CHANGE AND THE CONTROLLING ENGINEERING ORGANIZATION SHOULD BE CONTACTED FOR THE LATEST REVISION.		DWN L OLMEDA	AMP AMP Incorporated Harrisburg, PA 17105-3608
FOR ADDITIONAL PRODUCT INFORMATION OR COPIES OF DRAWINGS AND TECHNICAL DOCUMENTS	PRODUCT INFORMATION CENTER 1-800-522-6752	VOLTAGE RATING: -	DIMENSIONS: INCHES	TOLERANCES UNLESS OTHERWISE SPECIFIED: 0 PLC ±- 1 PLC ±- 2 PLC ±.015 3 PLC ±- 4 PLC ±- ANGLES ±-	CHK M ELLIS 15NOV95	
FOR APPLICATION TOOLING INFORMATION	TOOLING ASSISTANCE CENTER 1-800-722-1111	CIRCULAR MIL AREA: -	MATERIAL BODY, BRASS .012 INSUL, NYLON, COLOR, RED WITH GREEN STRIPE		APVD B BARE 15NOV95	NAME RECEPTACLE, 110 SERIES, FASTON™, IR, PIDG™, WIRE SIZE, 22 AWG
FOR ORDER ENTRY	1-800-526-5142		FINISH BODY, PRE-TIN		PRODUCT SPEC -	SIZE A3
					APPLICATION SPEC -	CAGE CODE 00779
					WEIGHT -	DRAWING NO C-55319
					CUSTOMER DRAWING	SCALE NT5
						SHEET 1 OF 1
						REV F

PIDG FASTON (Continued)

Receptacles

Receptacle Style:

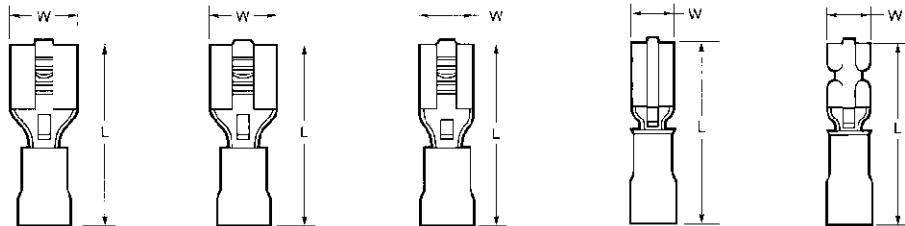
- A — No dimple with wire stop
- B — Dimple with wire stop
- C — No dimple, no wire stop

Material

Insulation — Nylon, UL 94V-2
Receptacle Body — Brass per ASTM B-36 or Phosphor Bronze per ASTM B-139
Plating — Tin per ASTM B-545 except where noted.
Metallic Sleeve — Copper per ASTM B-152
Plating — Tin per ASTM B-545

Related Product Data

Insulation Color Code — pg. 4
Packaging Quantities — pg. 4
Performance Specifications — pgs. 4 & 5
Application Tooling — pg. 73



.250 Series

.205 Series

.187 Series

.110 Series-Standard

.110 Series-Low Insertion

Series	Wire Size Circular Mills [mm ²]	Style	Dimensions		Terminal Insulation Color	Wire Insulation Diameter Max.	Recept. Matl.	Stock Thk.	Fits Tab Thk.	Part Numbers		
			W Nom.	L Max.						Loose Piece	Tape Mounted	Strip Form
.250	22-18 509-1,900 [0.26-0.96]	B	.300	.900	Rec	.140	Brass	.018	.032	640903-1*	640903-2	640902-1
			7.62	22.86	Rec	3.56	Brass	0.46	0.81	55675-1 ²	55675-2 ²	—
	16-14 2,050-5,180 [1.04-2.62]	B	.300	.900	Blue	.170	Brass	.018	.032	640905-1*	640905-2	640904-1
			7.62	22.86	Blue	4.32	Brass	0.46	0.81	640905-1*	640905-2	640904-1
	14-12 3,831-6,470 ¹ [1.94-3.28]	B	.300	1.012	Green	.250	Brass	.018	.032	42844-1 ^{1†}	42844-3†	60544-3†
			7.62	25.70	Green	6.35	Phos. Brz.	0.46	0.81	42844-2 ^{1†}	—	—
	12-10 5,180-13,100 [2.62-6.64]	B	.300	1.012	Yellow	.250	Brass	.018	.032	640907-1*	640907-2	640906-1
			7.62	25.70	Yellow	6.35	Phos. Brz.	0.46	0.81	61198-2	61198-4	—
.250 Low Insertion	22-18 509-1,900 [0.26-0.96]	B	.300	.900	Red	.145	Brass	.016	.032	184262-1	184262-2	184261-1
			7.62	22.86	Red	3.68	Brass	.406	.813	184262-1	184262-2	184261-1
	16-14 2,050-5,180 [1.04-2.62]	B	.300	.900	Blue	.173	Brass	.016	.032	184265-1	184265-2	184264-1
			7.62	22.86	Blue	4.39	Brass	.406	.813	184265-1	184265-2	184264-1
.205	22-18 509-1,900 [0.26-0.96]	B	.250	.800	Red	.135	Brass	.016	.020	696018-1	696018-2	—
			6.35	20.32	Red	3.43	Brass	0.41	0.51	696018-1	696018-2	—
		B	.250	.800	Rod/Black	.140	Brass	.016	.020	640909-1*	640909-2	640908-1
			6.35	20.32	Rod/Black	3.56	Brass	0.41	0.51	640909-1*	640909-2	640908-1
	16-14 2,050-5,180 [1.04-2.62]	B	.250	.800	Red	.140	Brass	.016	.032	640911-1*	640911-2	640910-1
			6.35	20.32	Red	3.56	Brass	0.41	0.81	640911-1*	640911-2	640910-1
	B	.250	.800	Blue	.170	Brass	.016	.020	640913-1*	640913-2	—	
		6.35	20.32	Blue	4.32	Brass	0.41	0.51	640913-1*	640913-2	—	
	26-24 238-475 [0.12-0.24]	B	.230	.700	Yellow	.082	Brass	.016	.020	641321-1 ^{††}	641321-2 [†]	641320-1 [†]
			5.84	17.78	Yellow	2.08	Brass	0.41	0.51	641321-1 ^{††}	641321-2 [†]	641320-1 [†]
.187	22-18 509-1,900 [0.26-0.96]	B	.230	.800	Red	.140	Brass	.016	.020	640917-1*	640917-2	640916-1
			5.84	20.32	Red	3.56	Brass	0.41	0.51	640917-1*	640917-2	640916-1
			.230	.800	Red	.140	Brass	.016	.040	—	640578-2 ¹	—
			5.84	20.32	Red	3.56	Brass	0.41	1.02	—	640578-2 ¹	—

¹Not UL or CSA approved or listed.
²Available in small packaging quantities.

[†]Wire range is limited as noted.
^{††}Unplated receptacle body.

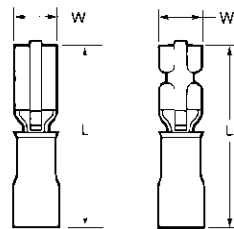
PIDG FASTON (Continued)

Receptacles (Continued)

Series	Wire Size Circular Mills [mm ²]	Style	Dimensions		Terminal Insulation Color	Wire Insulation Diameter Max.	Recept. Matl.	Stock Thk.	Fits Tab Thk.	Part Numbers		
			W Nom.	L Max.						Loose Piece	Tape Mounted	Strip Form
.187	16-14 2,050-5,180 [1.04-2.62]	B	.230	.800	Blue	.170	Brass	.016	.020	640919-1*	640919-2	640918-1
			5.84	20.32	Blue	4.32	Brass	0.41	0.51	696108-1	696108-2	—
.187 Low Insertion	22-18 509-1,900 [0.26-0.96]	B	.230	.800	Red	.145	Brass	.016	.032	184268-1	184268-2	184267-1
			5.84	22.86	Red	3.68	Brass	0.41	0.813	—	—	—
.110 Standard	16-14 2,050-5,180 [1.04-2.62]	B	.300	.900	Blue	.173	Brass	.016	.032	184235-1	184235-2	184234-1
			7.62	22.86	Blue	4.39	Brass	0.41	0.813	—	—	—
			.148	.734	Natural	.110	Brass	.012	.016	61048-1††	61048-2†	—
			3.76	18.64	Natural	2.79	Brass	0.30	0.41	—	—	—
.110 Low Insertion	22-18 509-1,900 [0.26-0.96]	B	.148	.734	Natural	.110	Brass	.012	.020	61060-1††	61060-2†	61059-2†
			3.76	18.64	Natural	2.79	Brass	0.30	0.51	—	—	—
			.148	.734	Natural	.110	Brass	.012	.032	60894-1††	60894-2†	60893-2†
			3.76	18.64	Black	2.79	Brass	0.30	0.81	—	61678-2†	—
.110 Low Insertion	26-24 238-475 [0.12-0.24]	A	.160	.700	Yellow	.082	Brass	.016	.020	641324-1†	641324-2†	—
			4.06	17.78	Yellow	2.08	Brass	0.41	0.51	—	—	350871-1†
	22-18 509-1,900 [0.26-0.96]	A	.160	.796	Red	.140	Brass	.016	.012	—	—	—
			4.06	20.22	Red	3.56	Brass	0.41	0.30	—	—	—
	22-18 509-1,900 [0.26-0.96]	A	.160	.800	Red	.140	Brass	.016	.016	640921-1	640921-2	—
			4.06	20.32	Red	3.56	Brass	0.41	0.41	640923-1*	640923-2	640922-1
	22-18 509-1,900 [0.26-0.96]	A	.160	.800	Red	.140	Brass	.016	.020	640925-1*	640925-2	640924-1
			4.06	20.32	Red	3.56	Brass	0.41	0.51	640925-1*	640925-2	640924-1
	16-14 2,050-5,180 [1.04-2.62]	A	.160	.800	Blue	.170	Brass	.016	.020	640929-1*	640929-2	—
			4.06	20.32	Blue	4.32	Brass	0.41	0.51	—	—	—
.160			.800	Blue	.170	Brass	.016	.032	640931-1*	640931-2	—	
4.06			20.32	Blue	4.32	Brass	0.41	0.81	640927-1	640927-2	—	
16-14 2,050-5,180 [1.04-2.62]	B	.160	.800	Blue	.170	Brass	.016	.016	640927-1	640927-2	—	
		4.06	20.32	Blue	4.32	Brass	0.41	0.41	—	—	—	
16-14 2,050-5,180 [1.04-2.62]	C	.160	.796	Blue	.170	Brass	.016	.032	641317-1	—	—	
		4.06	20.19	Blue	4.32	Brass	0.41	0.81	—	—	—	

†Not UL or CSA approved or listed.
*Available in small packaging quantities.

Receptacles (Insulation Restricting)



.110
Series-
Standard

.110
Series-
Low Insertion

Material

Insulation — Nylon, UL 94V-2
Receptacle Body — Brass per ASTM B-36
Receptacle Style B — Dimple with wire stop
Plating — Tin per ASTM B-545
Metallic Sleeve — Copper per ASTM B-152
Plating — Tin per ASTM B-545 or Nickel per QQ-N-290

Related Product Data

Insulation Color Code — pg. 4
Packaging Quantities — pg. 4
Performance Specifications — pgs. 4 & 5
Application Tooling — pg. 73

Series	Wire Size Circular Mills [mm ²]	Style	Dimensions		Terminal Insulation Color Solid/Stripe	Wire Insulation Diameter Range	Recept. Matl.	Stock Thk.	Fits Tab Thk.	Part Numbers		
			W Nom.	L Max.						Loose Piece	Tape Mounted	Strip Form
.110 Standard	22 754 [0.33]	B	.148	.780	Red/ Green	.040-.080 1.02-2.03	Brass	.012	.016	55319-1	55319-3	—
			3.76	19.81				0.30	0.41			

Dimensions are shown for reference purposes only.

Dimensions are in inches and millimeters unless otherwise specified. Values in brackets are metric equivalents.

Specifications subject to change.

Technical Support Center
1-800-522-6752
www.amp.com

PIDG FASTON