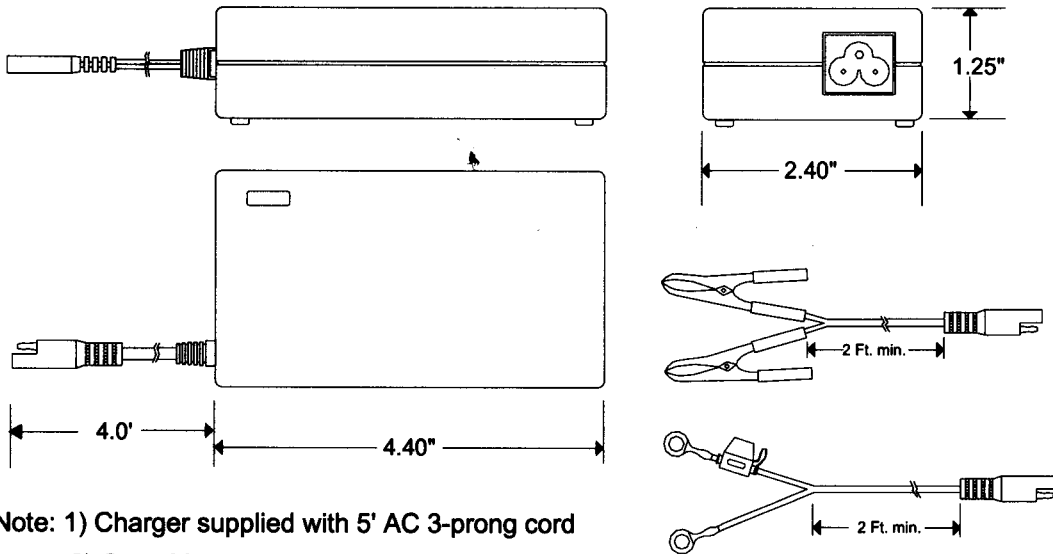


Model No.: 12BC4000T-1 3-Stage Switch Mode SLA Charger

• Specifications:

Input Voltage:	100VAC- 120VAC
Input Current:	1.5A Max. at 90VAC
Input Frequency:	50Hz- 60Hz
Output Voltage:	
Bulk Charge:	14.4VDC +/- 0.4VDC
Float Charge:	13.6VDC +/- 0.4VDC
Output Current:	
Bulk Charge:	4A +/- 0.4A
Float Charge:	less than 1.0A
Over-Voltage Protection:	DC 30V Max
Over-Current Protection:	DC 3.5A Max
Leakage Current:	1.0mA Max.
Efficiency:	80% @ full load
Battery Size Range:	7AH - 20AH
Dielectric Strength:	Primary to Case: DC2121 Vrms, 3.5mA, for 1 minute Primary to Secondary: DC4242 Vrms, 3.5mA for 1 minute
Insulation Resistance:	50 MΩ @ 500VDC, Input to Output
Operating Temperature:	-10 Deg. C to +40 Deg. C
Storage Temperature:	-10 Deg. C to +80 Deg. C

- Safety Standards: UL1310, CUL, CE, FCC Part 15- Class B
- LED - DUAL COLOR: Red Color – Charging Green Color – Charged (float stage)
- Protection:
Short Circuit Protection, Over Current Protection, Over Voltage Protection, Battery Polarity Reversal
- Connector: Supplied with intermediate connector and two sets of output connectors.



- Note: 1) Charger supplied with 5' AC 3-prong cord
 2) Case Material - Plastic
 3) Charger supplied with two output cables.
 One with eyelet terminals with a fuse and one with clamps.