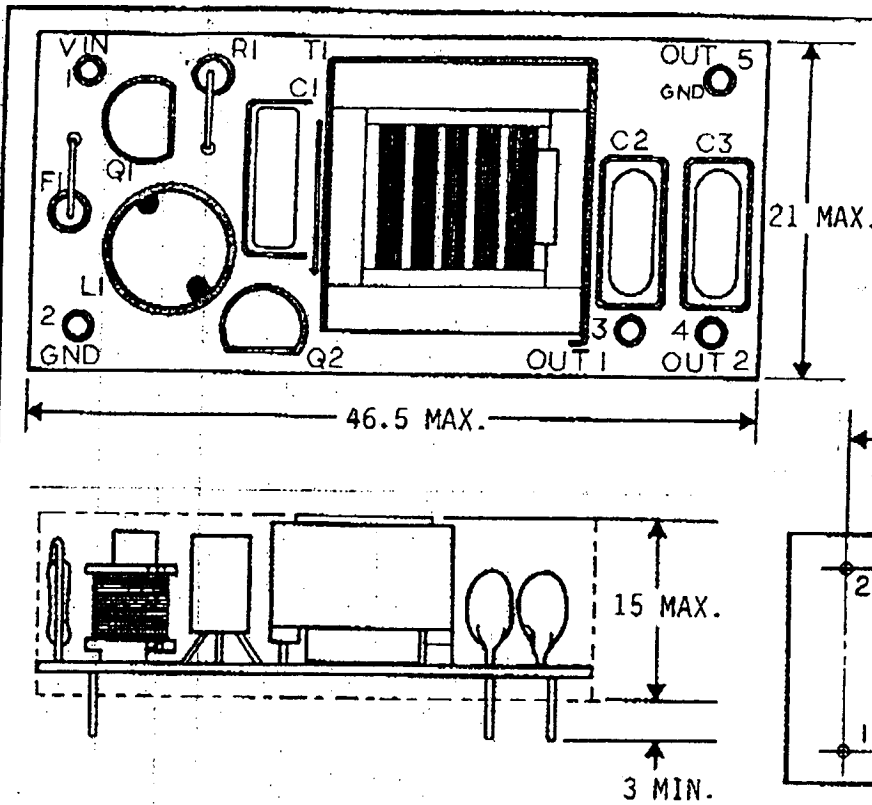


12 VDC INVERTER

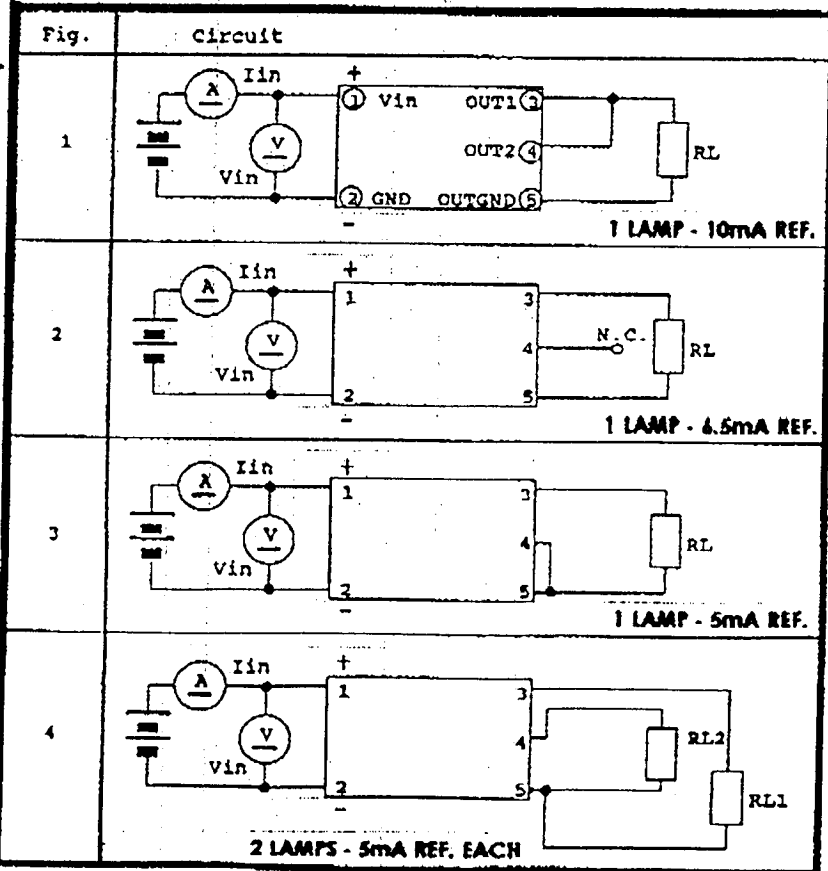
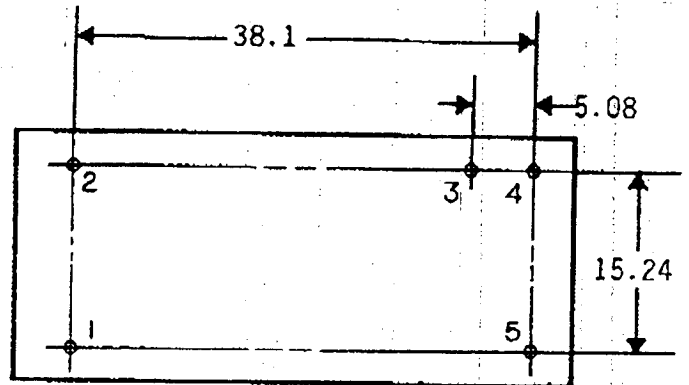
CAT # BXA-12529



CAUTION:

REVERSE POLARITY TO INVERTER INPUT WILL CAUSE AN OPEN CIRCUIT IN FUSE F1.

(PARTS LAYOUT FOR REFERENCE ONLY)



CHARACTERISTICS	MIN	TYP	MAX
INPUT VOLTAGE: (vdc)	10.8	12.0	13.2
INPUT CURRENT: (mA)	220	260	500
OUTPUT VOLTAGE: (Vrms)	750	850	950
OUTPUT CURRENT: (mA) x 2	4.5	5.5	6.5
OUTPUT FREQUENCY: (kHz)	20	30	40
OPERATING TEMP: (CELSIUS)	0	25	50

BOARD PIN #	(INPUT)
1	+V (Vin)
2	V (GND)
3	OUT 1
4	OUT 2
5	OUT (GND)

MECHANICAL DIMENSIONS ARE IN MILLIMETERS

TITLE
12V FLUORESCENT LAMP POWER SUPPLY

DRAWING NUMBER
BXA-12529

REVISION
A