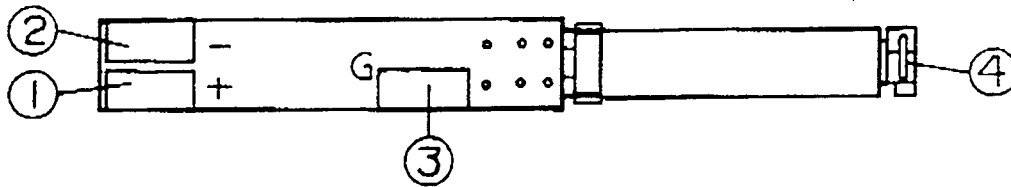
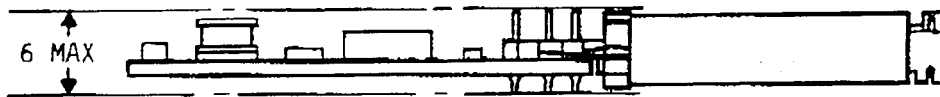
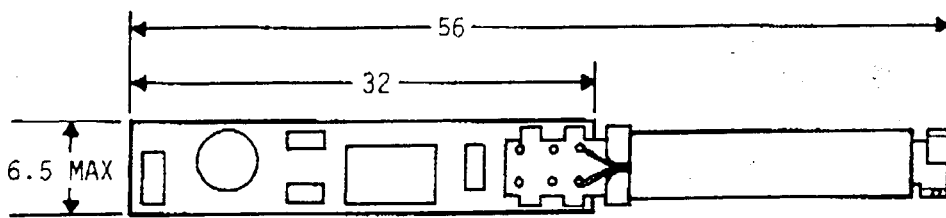


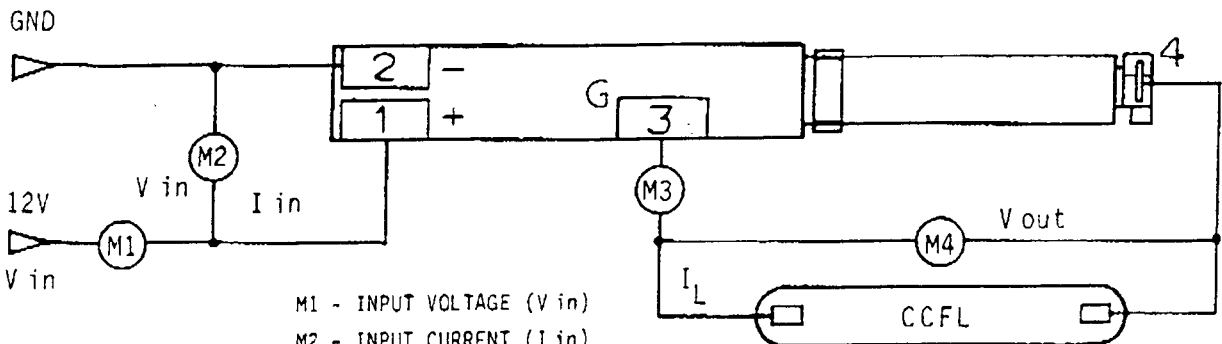
# CAT# BXA-12576

## 12 VDC INVERTER

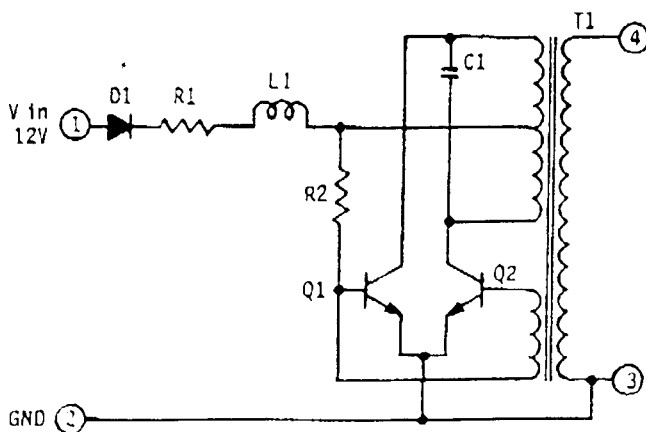


BOARD PIN #	INPUT
1	+V (Vin)
2	V (GND)
3	OUT GND
4	V OUT

DIMENSIONS ARE IN MILLIMETERS



- M1 - INPUT VOLTAGE ( $V_{in}$ )
- M2 - INPUT CURRENT ( $I_{in}$ )
- M3 - OUTPUT CURRENT ( $I_{out}$ )
- M4 - OUTPUT VOLTAGE ( $V_{out}$ )



CHARACTERISTICS	MIN	TYP	MAX
INPUT VOLTAGE: (vdc)	10.0	12.0	15.0
INPUT CURRENT: (mA)	130	150	170
OUTPUT VOLTAGE: (Vrms)	700	800	900
OUTPUT CURRENT (maRms)	3.0	4.0	5.0
OUTPUT FREQUENCY: (kHz)	85	105	125
OPERATING TEMP: (CELSIUS)	0	25	50

TITLE  
12V CCFL POWER SUPPLY

DRAWING NUMBER

BXA-12576

REVISION