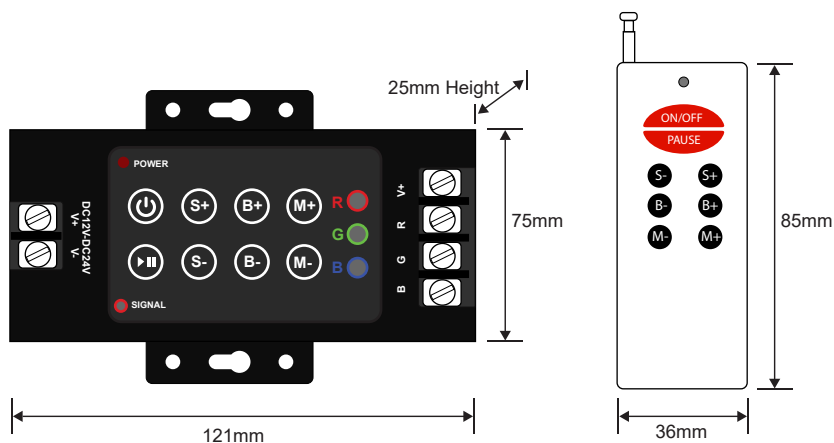


Characteristic



- **PWM (Pulse-Width-Modulation) controlling technology.**
- 25 changing modes such as skipping, smooth, etc. Plus each RGB has 4,096 grey scale levels.
- LED digital indicators display current mode, speed, brightness.
- Three rotary knobs allow to choose specific colors. Changing color is smooth without flickers.
- Save color automatically, can be adjusted by remote control.
- Over-current and short-circuit protection.
- Work with signal repeater/amplifier allow user to add unlimited LED lights.

Physical

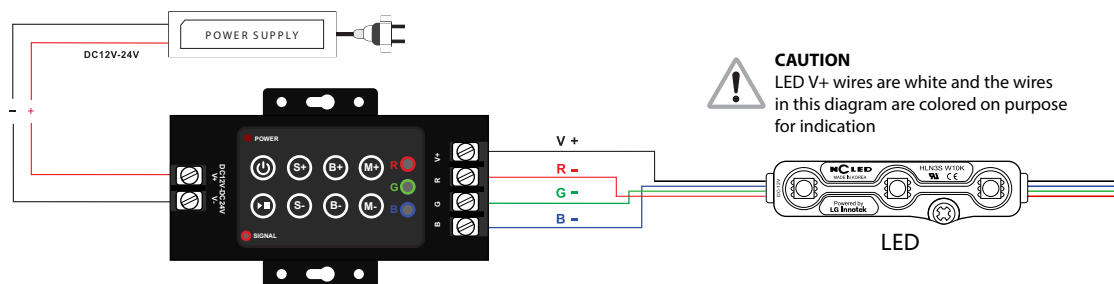


Model	8-Key RF RGB Controller
Working temperature	-20-60C°
Input voltage	DC12V-24V
Output Current	8A/3CH
Output power	12V:<288W, 24V:<576W
Mode	25modes
Dimension	121x75x25 mm
Weight	256g

Installation

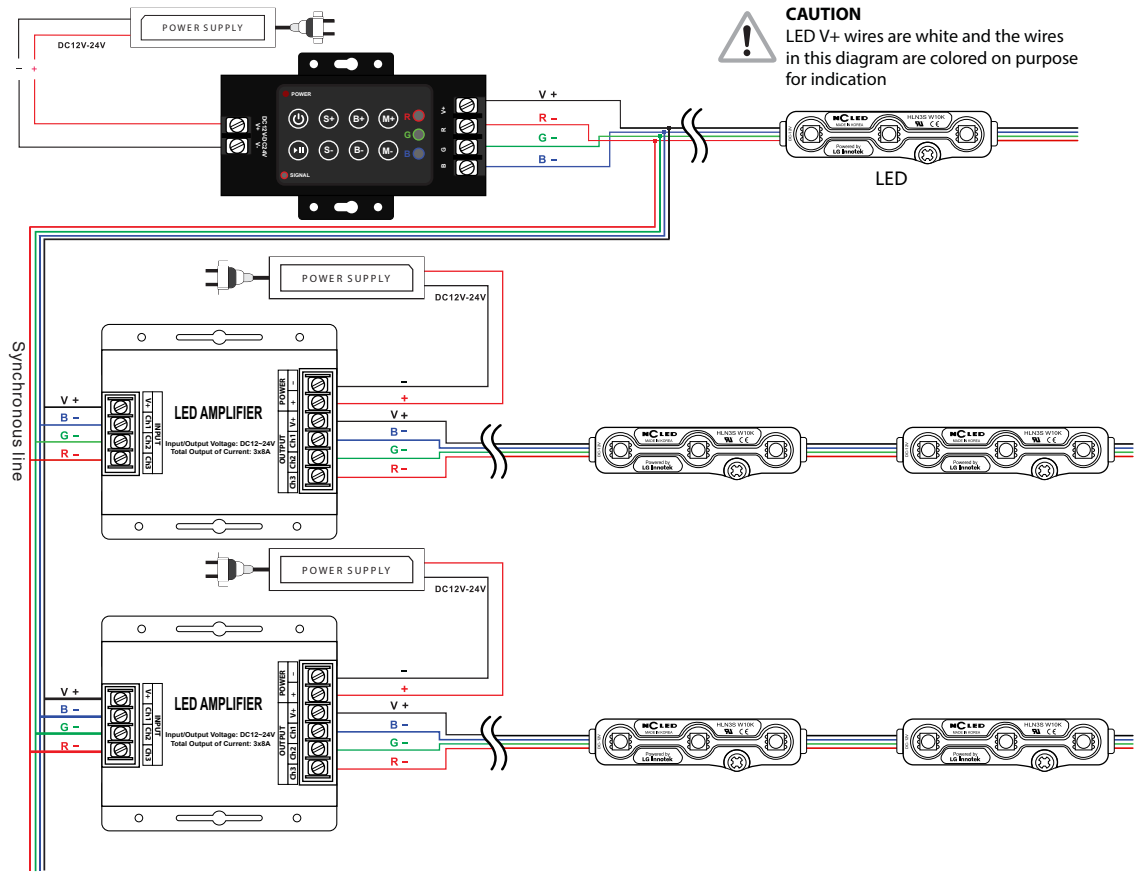
Connection diagram

1. Connection diagram to RGB LED.



Installation (Continued)

2. Connection diagram to RGB LED with signal repeater/amplifier.



SAFETY INFORMATION

1. Supply voltage of the controller is DC 12V-24V. Higher input voltage will permanently damage components of the controller and stop working.
2. Connect the load wire at first then by the power wire; Please ensure there is no short-circuit between wire connection before turn on the power.


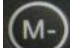
Operation Instructions

Both controller and remote control has altogether 8 buttons with same functions. Each button's function described in the table below:

Sign	Button	Description
	On/Off	Power on or off the controller at any mode
	Play/ Pause	This function is applied to any changing color mode. Press once to pause at a desire color(static). Press again to continue.
	Speed up	Increase speed of changing color mode. Including fading, color skipping and strobing(flashing).
	Speed down	Decrease speed of changing color mode. Including fading, color skipping and strobing(flashing).
	Brightness up	Increase brightness of any static color mode.
	Brightness down	Decrease brightness of any static color mode.
	Mode up	Change forward to the next mode. There are 25 different mode patterns. Please refer to the Pattern Table below.
	Mode down	Change backward to the previous mode.

**Operation
Instructions
(Continued)**

Pattern Table

There are 25 modes or patterns as shown below. Press  to move forward to the next mode. Press  to move backward to the previous mode.

Mode		Remarks	Mode		Remarks
1	Static red	Brightness is adjustable, Speed is nonadjustable	14	Green stroboflash	Speed and Brightness are adjustable
2	Static green		15	Blue stroboflash	
3	Static blue		16	Yellow stroboflash	
4	Static yellow		17	Purple stroboflash	
5	Static purple		18	Cyan stroboflash	
6	Static cyan		19	White stroboflash	
7	Static white		20	Red/Blue crossfade	
8	Three-color jumpy changing	21	Blue/Green crossfade		
9	Seven-color jumpy changing	22	Green/Red crossfade		
10	Three-color gradual changing	Brightness is nonadjustable, Speed is adjustable	23	All fade in & out	Speed and Brightness are adjustable
11	Seven-color gradual changing		24	Random stroboflash	
12	Three-color flowing	Speed and Brightness are adjustable	25	Automation	1~24
13	Red stroboflash				

Troubleshooting

Problem	Cause	Solution
No Light	1.No power from the socket	1.Check the socket
	2.Reverse connection of power +/-	2.Modify the connection
	3.Wrong or loose connection	3.Check connection
Wrong color	4.Wrong wiring color	4.Re-wire RGB
Brightness of the LED is not even	5.Output wire too long, voltage drops	5.Reduce cable or use loop connection
	6.Wire gauge too small, voltage drops	6.Calculate the current, use bigger wire
	7.Power supplier overloads	7.Use higher wattage power supply
	8.Controller overload	8.Add a signal repeater
Mode doesn't change	9.The setting of speed is too low	9.Increase the speed
Can't be remote controlled	10.The battery has run down	10.Change battery
	11.Out of the controlling distance	11.Shorten the controlling distance