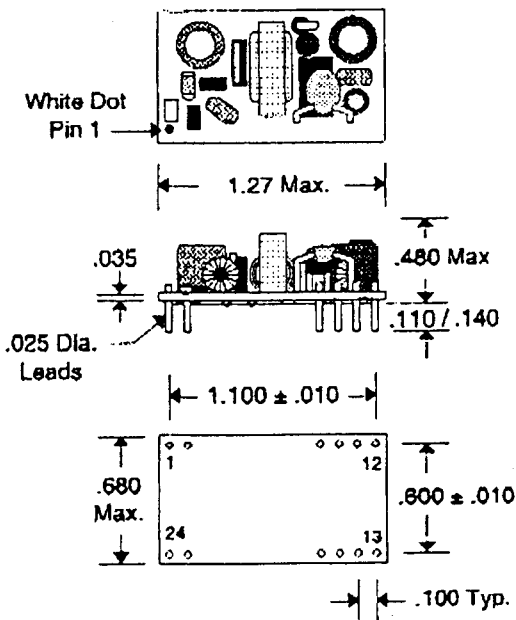


- Features**
- 70 % Typical efficiency at full load and at 12 V Nominal input voltage
 - Designed for low common mode noise
 - Input filter to reduce input ripple current (Less than 10 mA p-p typical)
 - Fuse Protected
 - Pulse Width Modulator Circuit (For high efficiency and excellent line and load regulation.)
 - Input / Output Isolation
 - Precision Regulated

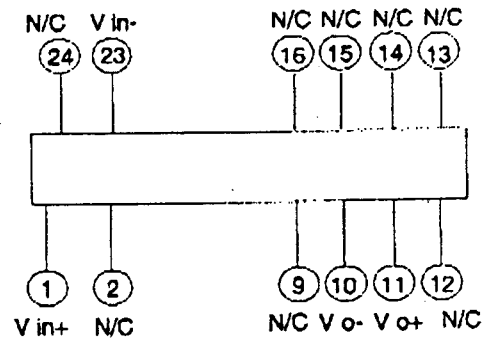
Electrical Specifications

Parameters	Min.	Typ.	Max.	Units
Input Voltage	7.5	12	16	Volts
Output Voltage	8.55	9.0	9.45	Volts
Output Current	0	----	250	mA
Output Ripple & Noise @ 20 MHz BW	----	----	100	mV p-p
Input Ripple Current	----	----	25	mA p-p
Input /Output Isolation	500	----	----	Vrms

Package L



Pin Connections



16799 Schoenborn St
 North Hills, CA 91345
 Phone: (818) 892-076
 Fax: (818) 894-5791