

5 TO 9 VOLT
DC TO DC CONVERTER
CAT # DC-43

YCL specifies the following part as a replacement for Valor # PM6045. The connections are the same for both, but the Valor part only uses pins 1 and 24 for input and 12 and 13 for output.

**2.25watt /24pins DIL package/2000Vdc isolation
2H250-05S09**



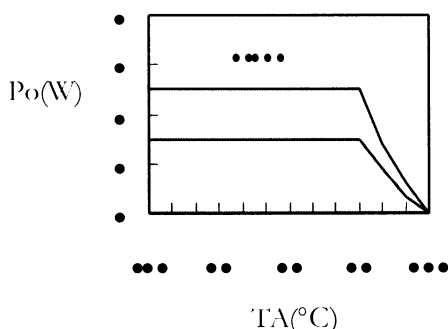
Feature:

- Low Cost
- Miniature DIL Package
- 2000Vdc Input/Output Isolation
- Single Output
- No External Components required
- Low Profile and Compact Size

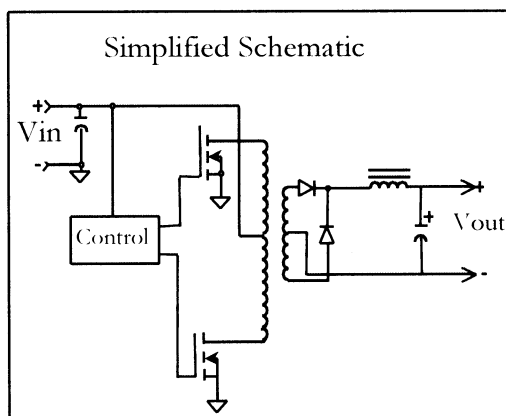
Specifications: At 25° C

Input Specifications:	General Specifications:
Input Voltage Range: 5V \pm 10%	Isolation Voltage: 2000Vdc
Input Filter: Internal Capacitor	Efficiency: 59%
Output Specifications:	Environmental Specifications:
Output Voltage & Current: 9V / 250mA	Switching Frequency: 25KHz typical
Voltage Accuracy: \pm 5 % max	Isolation Resistance: 1000M ohm
Line Regulation(at full load): \pm 1% max	Operating Temperature: -25 to + 71°C
Load Regulation (at full load to 1/2 load): Single: \pm 1% max	Storage Temperature: -40 to +105°C
	Cooling: Free air convection
Temperature Coefficient: \pm 0.05%/°C max	Derating: See Derating Curve
Ripple & Noise(20Mhz BW): 1% p-p max	Humidity Non-Condensing: 20 to 95% RH
Short Circuit Protection: Momentary	Physical Specifications:
	Case Material: Non-conductive plastic case
	Weight: 12grams typical

Power Derating Curve



Simplified Schematic



2.25watt /24pins DIL package/2000Vdc isolation 2H250-05S09



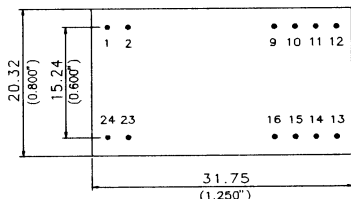
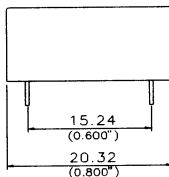
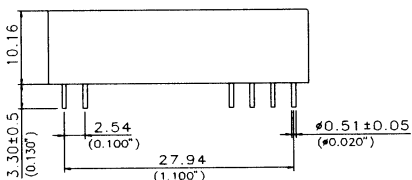
Model Selection Table:

Model no.	Input			Output		Efficiency Typical ¹ %	Package	External Fuse ² (A)
	Voltage (Vdc)	Current(mA)		Voltage (Vdc)	Current (mA)			
		No-Load	Full-Load					
2H250-05S09	4.5~5.5	70	760	9	250	59	2H	2

¹ Efficiency is specified at nominal input voltage and full load.

² Some applications may require the installation of external fuse in front of the input.

Package 2H:



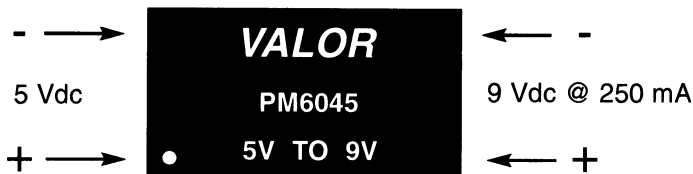
PIN	SINGLE
1,2	+INPUT
2,3,24	-INPUT
11,12	+OUTPUT
9,10	-OUTPUT

PIN 13,14,15,16 NC.

Unit: mm(inch)±0.25(0.010)

CAT# DC-43

TOP VIEW



Unregulated. Must have 100 mA load (min) to fuction.