



PM-33123000 Series



(12VDC LOW NOISE LONG LIFE)

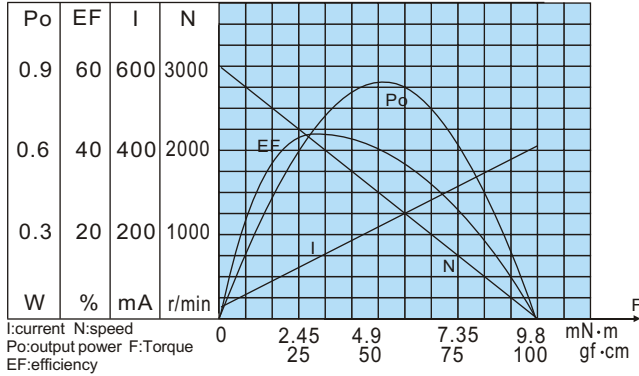
DC GEARED MOTOR

OUTPUT POWER: 0.58W(APPROX)

WEIGHT: 150~180g(APPROX)

Typical applications: Labal printers, auto shutter, welding machines, water meter IC card, grill, oven, cleaning machine, garbage disposers, household appliances, slot machines, money detector, automatic actuator, coffee machine, towel disposal, lighting, coin refund devices, peristaltic pump.

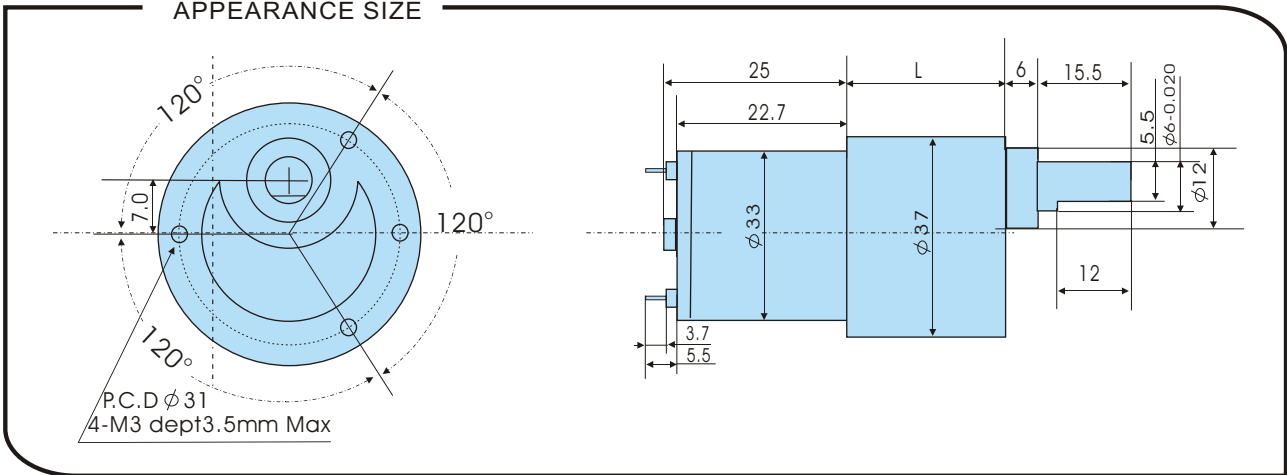
MOTOR CHARACTERISTICS



MOTOR TORQUE/SPEED/CURRENT

Rated voltage	12VDC
No load speed	3000r/min
No load current	20mA
Rated torque	25gf · cm 2.45mN · m
Rated current	110mA
Rated speed	2200r/min
Stall torque	100gf · cm 9.8mN · m
Stall current	400mA

APPEARANCE SIZE



GEARED MOTOR TORQUE/SPEED/CURRENT

Geared motor name	Rated Volt. V	No load		Load torque				At maximum efficiency		Output power W	Number of gear trains	Gearbox length "L" mm
		Current mA	Speed r/min	Current mA	Speed r/min	Torque		Kgf · cm	N · m			
						Kgf · cm	N · m					
PM-33123000-30K	12	≤20	100	≤110	73	0.8	0.08	2.0	0.20	0.6	3	22
PM-33123000-60K	12	≤20	50	≤110	36	1.4	0.14	4.0	0.39	0.5	4	25
PM-33123000-90K	12	≤20	33	≤110	24	2.1	0.20	6.0	0.59	0.5	4	25
PM-33123000-180K	12	≤20	16	≤110	12	4.2	0.41	12	1.18	0.5	5	27
PM-33123000-270K	12	≤20	11	≤110	8	6.3	0.61	18	1.76	0.5	5	27
PM-33123000-540K	12	≤20	5.5	≤100	4	10	0.98	30	2.94	0.4	6	29
PM-33123000-810K	12	≤20	3.7	≤80	3	10	0.98	30	2.94	0.3	6	29
PM-33123000-1620K	12	≤20	1.8	≤60	1.6	10	0.98	30	2.94	0.2	7	29
PM-33123000-2430K	12	≤20	1.2	≤50	1.1	10	0.98	30	2.94	0.1	7	29
Packing Details	CTN size: 37X27XH18CM 60pcs/CTN N.W. 11Kgs											