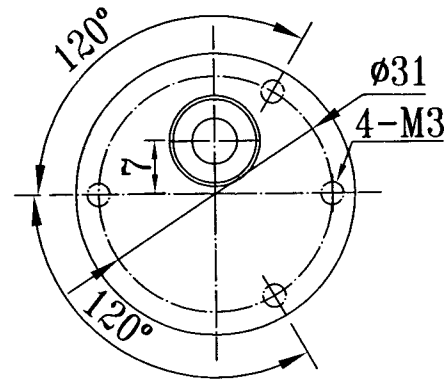
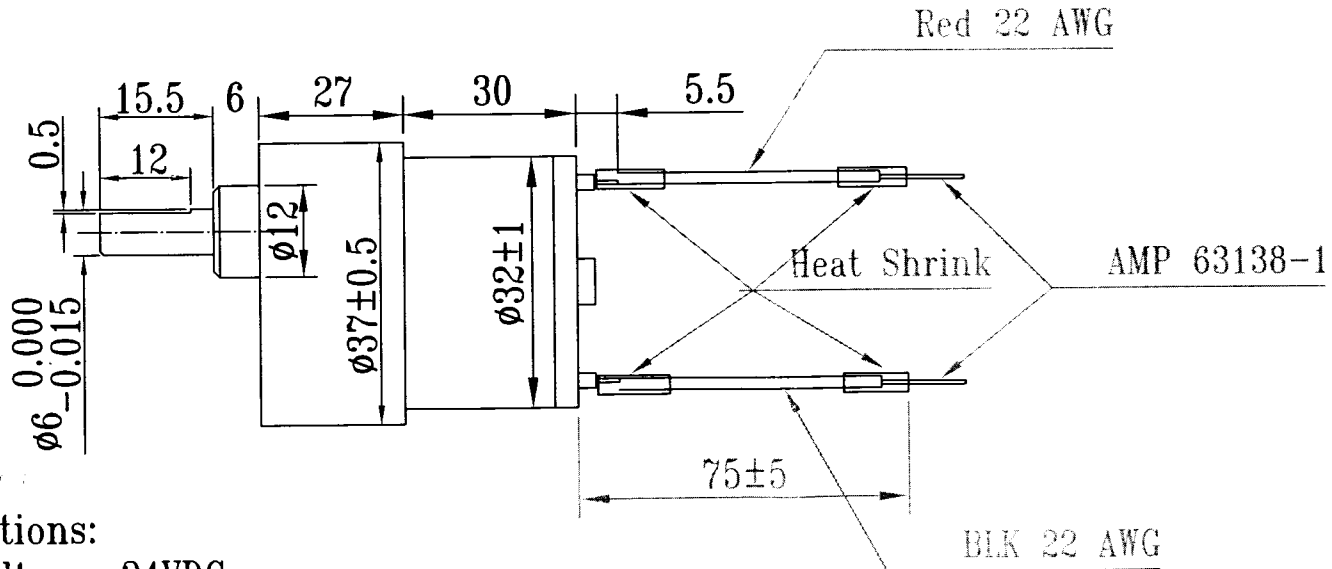


# Source Engineering Inc.



## Specifications:

Rated Voltage: 24VDC

Rated Speed: 19 RPM

Rated torque: 0.94 Nm

Rated current: ≤300 mA

No load speed: 25 RPM

No load current: ≤ 60 mA

Gear Ratio: 270:1

SEI Part #	37JB270G/32ZYT30-2468		
Project #		Date	2010/05/18
File Name	SAME	Sheet	1 of 1