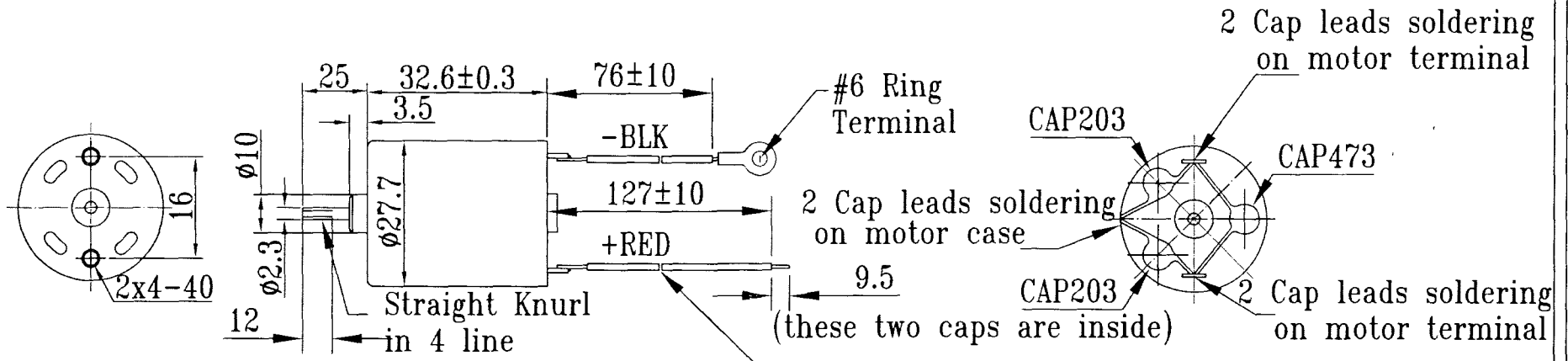


Source Engineering Inc.



Rated voltage: 12VDC
 Operation Temp. Range: -10C ~ 60C
 No load current: 0.06Amp
 No load speed: 4000 RPM

AT Maximum Efficiency:
 Current: 0.16 Amp
 Output: 1.1 W
 Speed: 3000 RPM
 Torque: 35 g-cm

AT STALL:
 Current: 0.45 Amp
 Torque: 140 g-cm

Notes:

1. 4 line straight Knurls instead 3, 12mm long
2. Two caps are inside the motor
3. Two mounting holes to be 4-40

SEI Part #	360S-10420-LV		
Project #	NA	Date	11/20/03
File Name	360S-10420	Sheet	1 of 1