

6

5

4

3

2

1

D

C

B

A

D

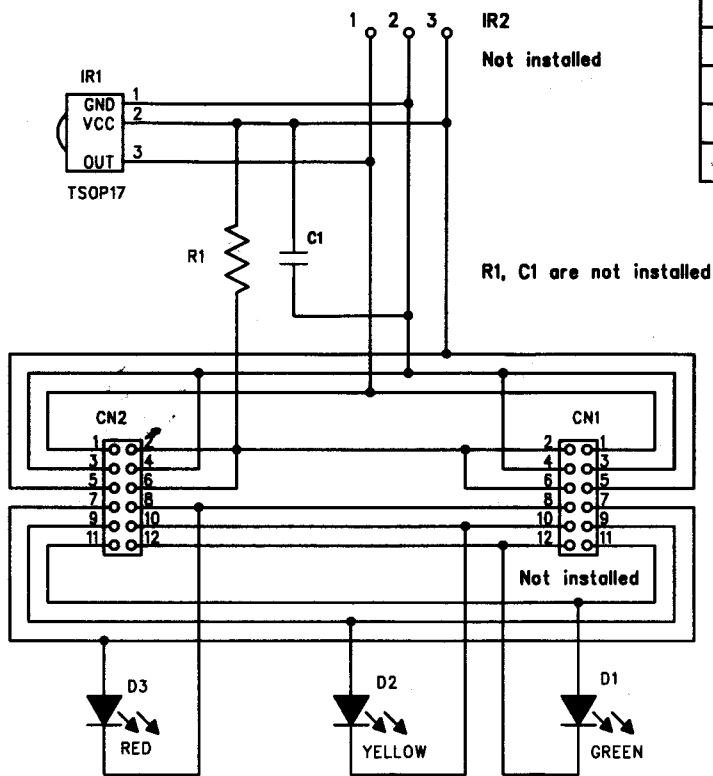
C

B

A

REVISION RECORD

LTR	ECO NO:	APPROVED:	DATE:



COMPANY:

TITLE:

LED Board V1.3 CAT# EX-53

DRAWN:	DATED: 08-23-2006
CHECKED:	DATED:
QUALITY CONTROL:	DATED:
RELEASED:	DATED:

CODE:	SIZE:	DRAWING NO:	REV:
SCALE:		SHEET: OF	