

## Feature

- \* HIGH RADIANT POWER
- \* RELIABLE AND RUGGEN
- \* LOWER DEGRADATION
- \* IC COMPATIBLE

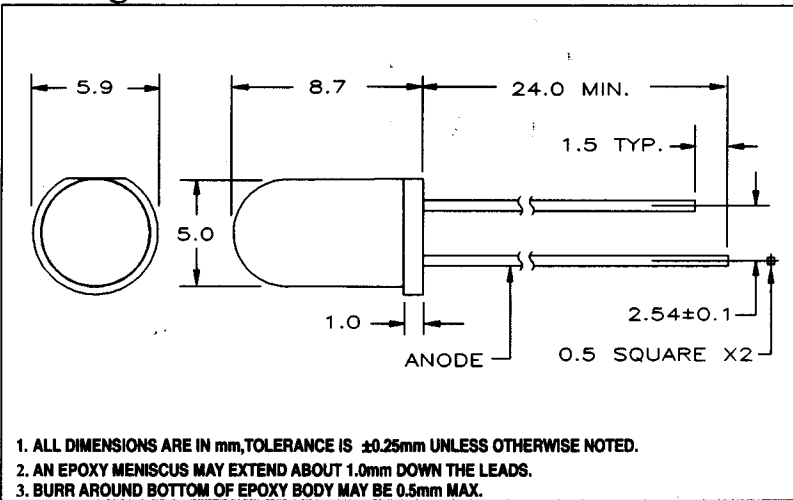
## Absolute Maximum Ratings at $T_A=25^\circ\text{C}$

REVERSE VOLTAGE.....	5.0 V
D.C. FORWARD CURRENT.....	100 mA
PULSE CURRENT (1/10 DUTY CYCLE,0.1 ms PULSE WIDTH).....	200 mA
OPERATING TEMPERATURE RANGE.....	-25°C TO +85°C
STORAGE TEMPERATURE RANGE.....	-25°C TO +100°C
LEAD SOLDERING TEMP. (1.6mm FROM BODY).....	260°C FOR 5 SEC.

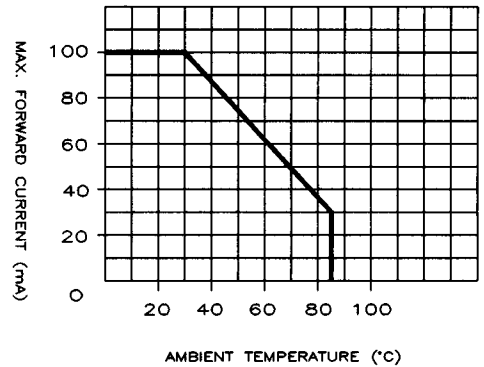
## Electrical/optical characteristics at $T_A=25^\circ\text{C}$

PART NUMBER	INFRARED CHIP		LEN'S COLOR	PEAK WAVELENGTH @100mA (nm)	FORWARD VOLTAGE @50mA(V)		RADIANT POWER @100mA(mw)		VIEW ANGLE $2\theta_{1/2}$ (deg)
	MATERIAL	EMITTING COLOR			TYP.	MAX.	MIN.	TYP.	
UT1883-81-940	GaAs	—————	WATER CLEAR	940	1.3	1.7	10	16	22
UT1885-81-940	GaAs	—————	BLUE CLEAR	940	1.3	1.7	10	16	22
UT1883-81-940	GaAs	—————	WATER CLEAR	940	1.3	1.7	10	16	22
UT1885-81-940	GaAs	—————	BLUE CLEAR	940	1.3	1.7	10	16	22

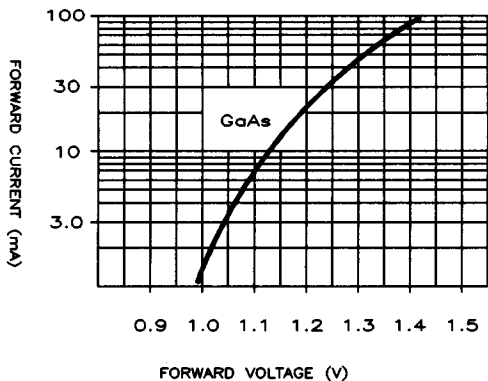
## Package Dimensions



### Ambient Temperature VS. Max. Forward Current



### Forward Voltage VS. Forward Current



### Forward Current VS. Relative Radiant Power

