

## KEST1602A-01

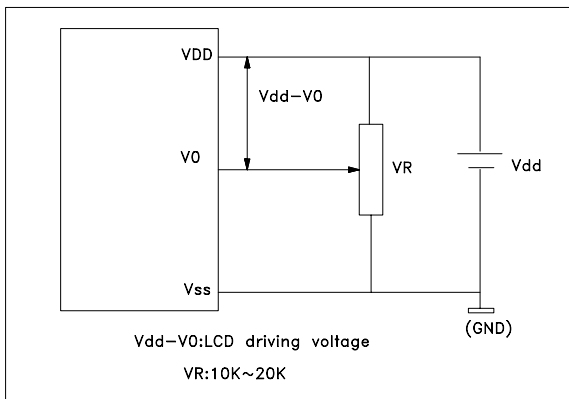
### Series

Display Format	16 Characters X 2 Lines
Drive Method	1/16 Duty , 1/5 Bias
LCD Type	STN Yellow green
LED Backlight	Yellow
Viewing direction	6 : 00
Operating Temperature	0 ~+50

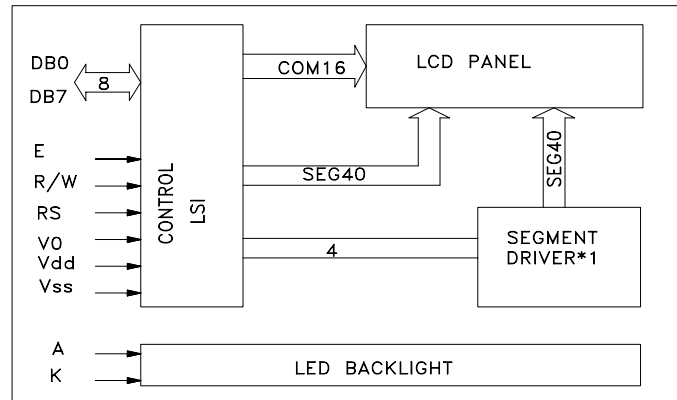
### Electrical Characteristics

ITEM	Symbol	Condition	Standard value			UNIT
			Min.	Typ.	Max.	
Supply Voltage For Logic	$V_{DD-V_{SS}}$	--	4.5	5.0	5.5	V
Supply Voltage For LCD	$V_{DD-V_0}$	--	--	4.7	--	V
Input High Voltage	$V_{IH}$	--	2.2	--	5.0	V
Input Low Voltage	$V_{IL}$	--	-0.3	--	0.6	V
output High Voltage	$V_{OH}$	$I_{OH}=-0.1mA$	2.4	--	5.0	V
output Low Voltage	$V_{OL}$	$I_{OL}=0.1mA$	--	--	0.4	V
Power Supply Current	$I_{DD}$	$V_{DD}=5.0V$	--	1.5	3.0	mA
With B/L	$I_{LED}$	$V_{DD}=5.0V$	--	100	150	mA

### Power supply



### Block Diagram



### EXTERNAL DIMENSIONS AND DISPLAY PATTERN

