

DMC16433 (16 Characters × 4 lines)

● Display Fonts 5 × 8 Dots ● 1/16 Duty Drive

ABSOLUTE MAXIMUM RATINGS

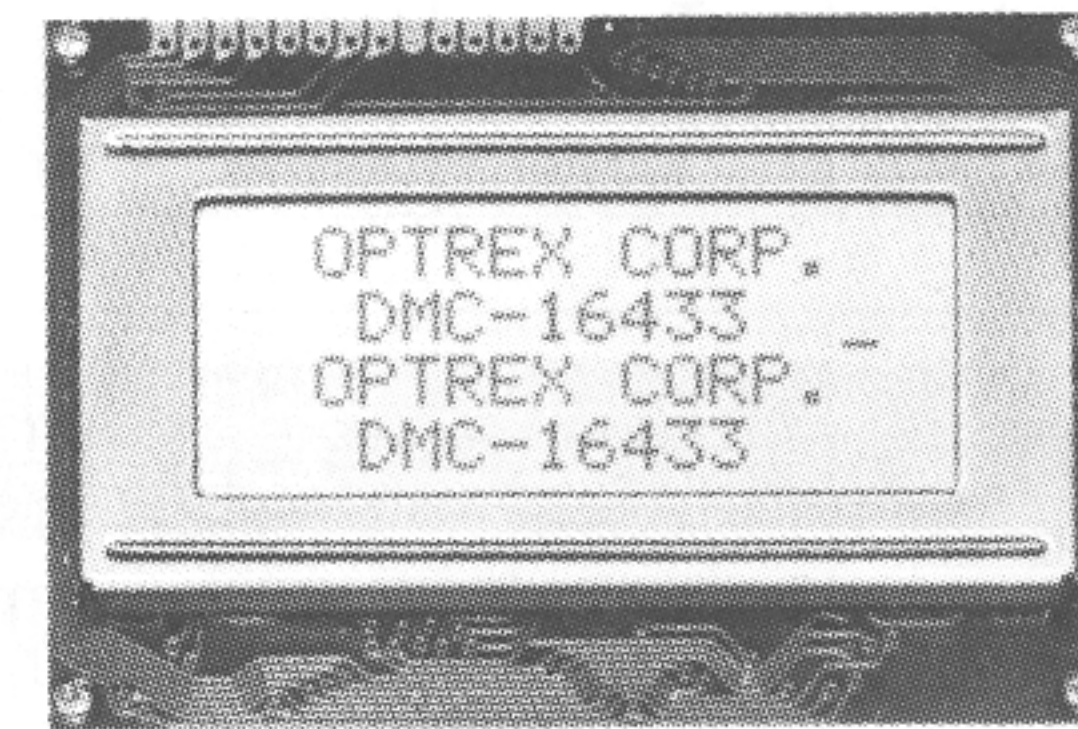
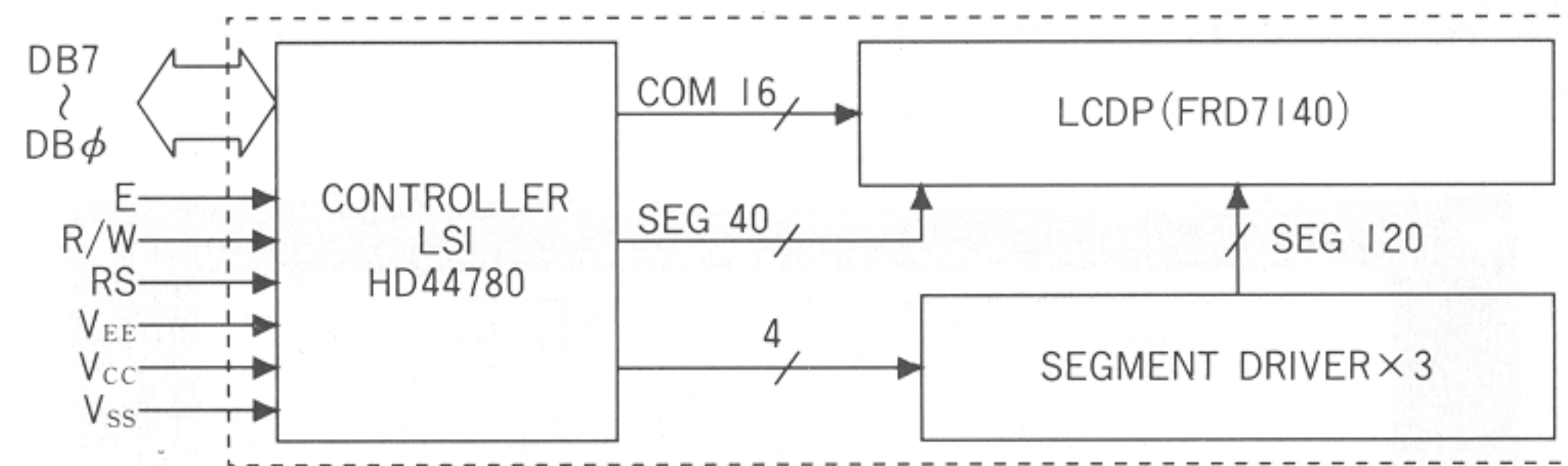
Item	Symbol	Test Condition	Standard Value		Unit
			min.	max.	
Supply Voltage for Logic	$V_{CC}-V_{SS}$	$T_a=25^\circ\text{C}$	-0.3	7	V
Supply Voltage for LCD Drive	$V_{CC}-V_{EE}$	$T_a=25^\circ\text{C}$	$V_{CC}-13.5$	V_{CC}	V
Input Voltage	V_I	$T_a=25^\circ\text{C}$	-0.3	$V_{CC}+0.3$	V
Operating Temperature	T_{opr}	—	0	+50	$^\circ\text{C}$
Storage Temperature	T_{stg}	—	-20	+70	$^\circ\text{C}$

ELECTRICAL CHARACTERISTICS

Item	Symbol	Test Condition	Standard Value			Unit
			min.	typ.	max.	
Input "High" Voltage	V_{IH}	—	2.2	—	V_{CC}	V
Input "Low" Voltage	V_{IL}	—	-0.3	—	0.6	V
Output "High" Voltage	V_{OH}	$-I_{OH}=0.205\text{mA}$	2.4	—	—	V
Output "Low" Voltage	V_{OL}	$I_{OL}=1.2\text{mA}$	—	—	0.4	V
Supply Current	I_{CC}	$V_{CC}=5.0\text{V}$	—	2.4	4.0	mA

※ $V_{CC}=5.0\text{V}\pm 5\%$, $T_a=25^\circ\text{C}$

BLOCK DIAGRAM



EXTERNAL DIMENSIONS

