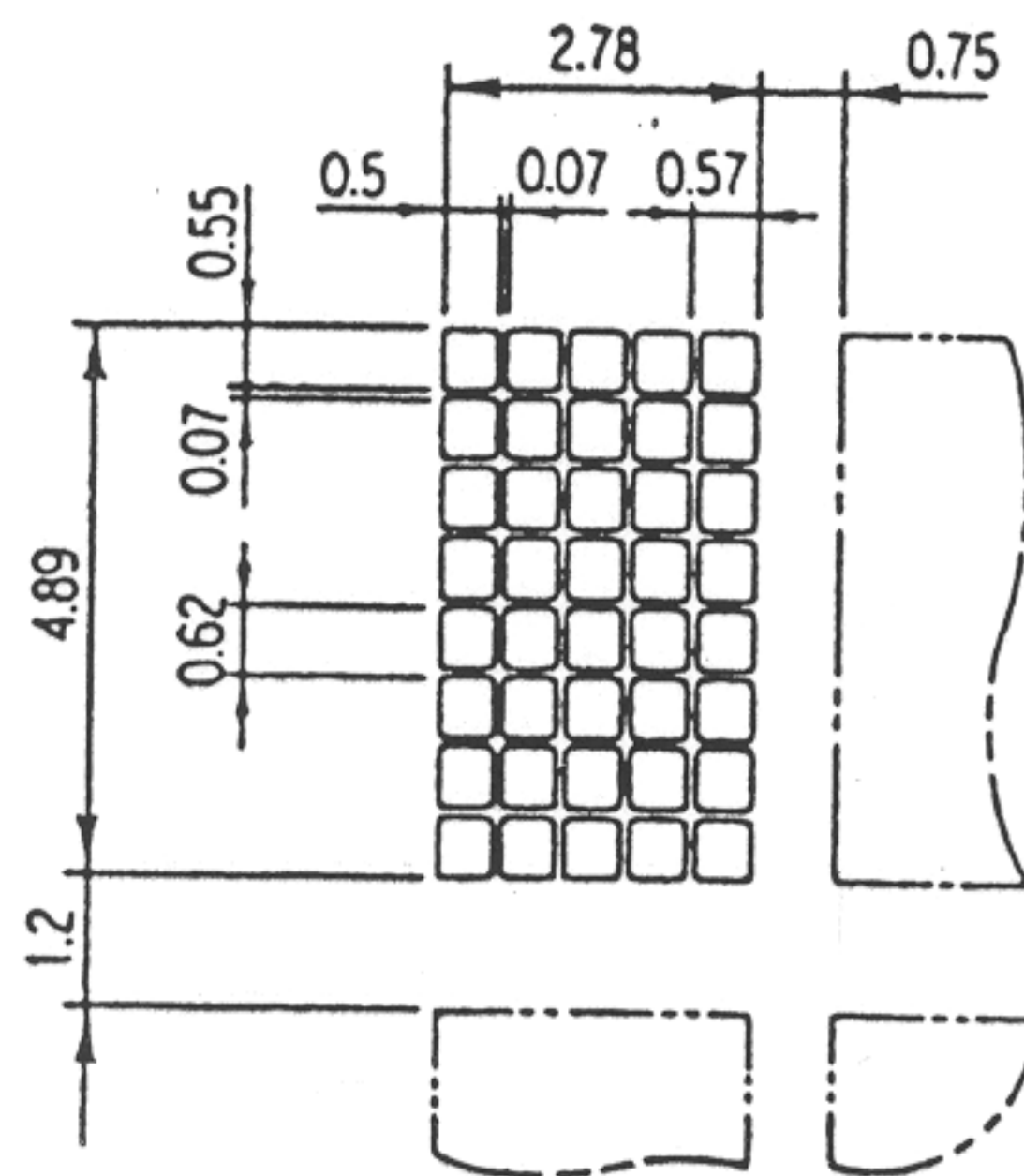
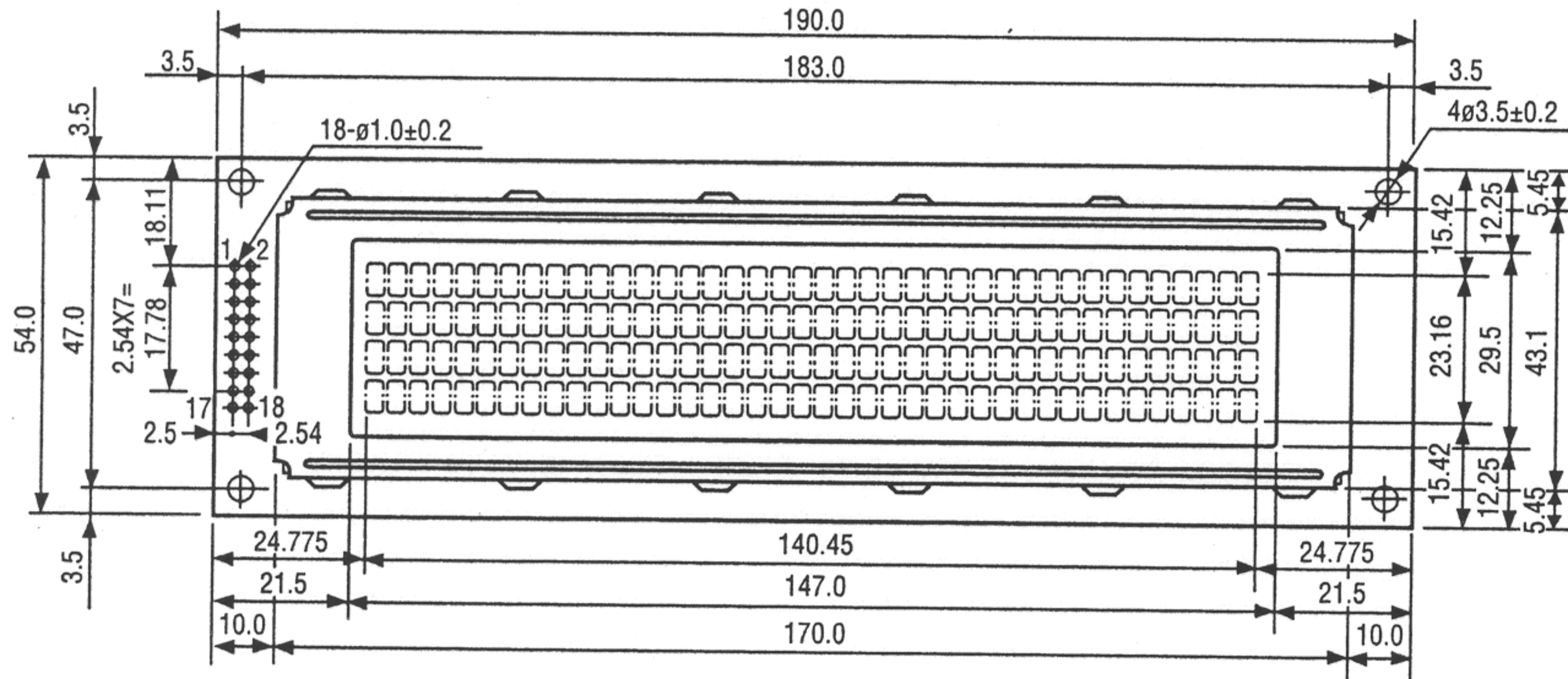


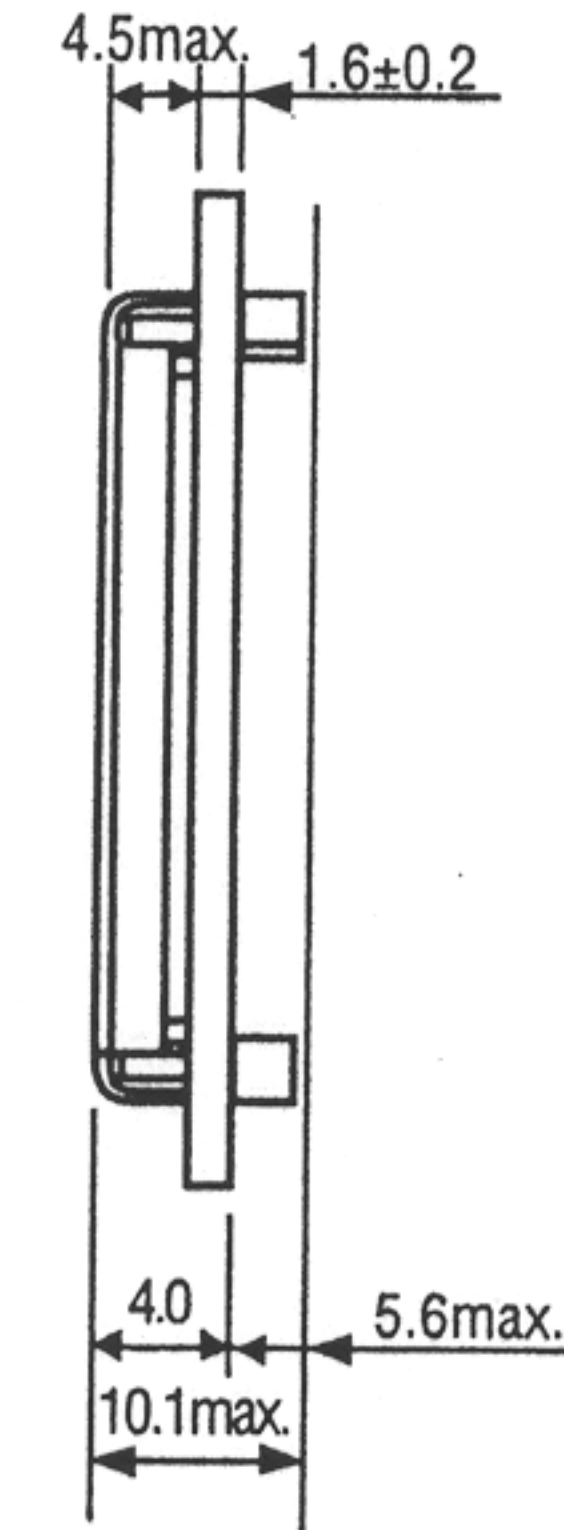
L4044

(4x40) Unit: mm General Tolerance ± 0.5 mm

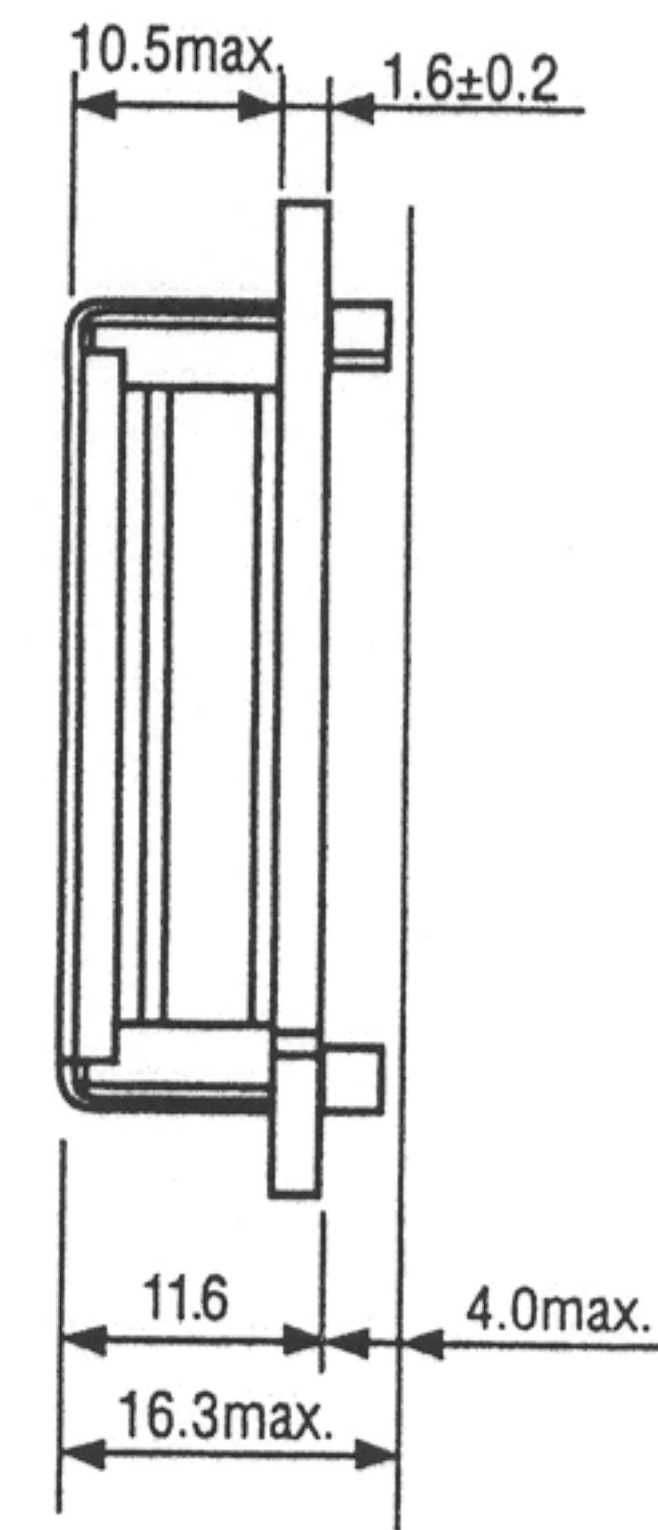


*LED Powered through pins 17 & 18

Reflective/EL Backlight



LED Backlight



PIN FUNCTIONS

No.	Name	Function
1	DB7	Data bus line
2	DB6	Data bus line
3	DB5	Data bus line
4	DB4	Data bus line
5	DB3	Data bus line
6	DB2	Data bus line
7	DB1	Data bus line
8	DB0	Data bus line
9	E	Enable
10	R/W	L: Data write from MPU to LCM. H: Data read from LCM to MPU
11	RS	L: Instruction code input. H: Data input
12	V _{LC}	Liquid crystal driving voltage
13	V _{SS}	GND
14	V _{DD}	Power supply voltage + 5 V
15	E ₂	Enable (for lower 2 lines)
16	NC	—
17	V _A *	Anode
18	V _C *	Cathode