

Light color : Red 、 Green 、 Blue Color

Absolute maximum rating (Ta=25°C)

- Reverse current : 100 μ A
- Peak current (duty=0.1,1KHz) : 100 mA
- Operating/Storage temperature range : -30°C ~ +85°C
- Derating linear from 25°C : 0.4 mA/°C
- Lead soldering temperature range : 260°C for 5 second

Electro-optical characteristics (TA=25°C)

RED COLOR :

Parameter	Symbol	Min	Typ.	Max	Unit	Test Condition
Forward voltage	V_F	❖	2.00	2.25	V	IF=20 mA
Luminous intensity	I_V		800	❖	mcd	IF=20 mA
Peak emission wavelength	λ_p		620	625	nm	❖
Half intensity angle	$\Delta \theta$	❖	45	❖	deg	❖

GREEN COLOR :

Parameter	Symbol	Min	Typ.	Max	Unit	Test Condition
Forward voltage	V_F	❖	3.2	3.5	V	IF=20 mA
Luminous intensity	I_V		2000	❖	mcd	IF=20 mA
Peak emission wavelength	λ_p		520	525	nm	❖
Half intensity angle	$\Delta \theta$	❖	45	❖	deg	❖

BLUE COLOR :

Parameter	Symbol	Min	Typ.	Max	Unit	Test Condition
Forward voltage	V_F	❖	3.2	3.5	V	IF=20 mA
Luminous intensity	I_V		1500	❖	mcd	IF=20 mA
Peak emission wavelength	λ_p		465	470	nm	❖
Half intensity angle	$\Delta \theta$	❖	46	❖	deg	❖

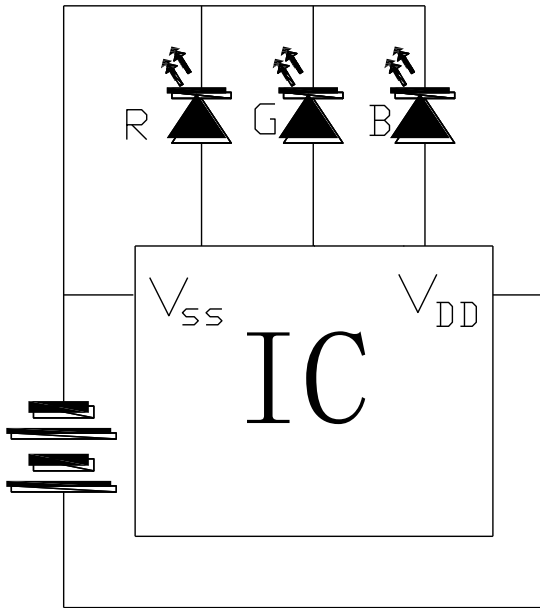
Direct Current Characteristics

Parameter	Symbol	Min	Typ.	Max	Unit	Remarks
Operating voltage	V_{DD}	2.0	4.5	5.5	V	❖
Driver Current	I_{ol}		40		mA	@V _{DS} =1.2V
Power Consumption	P_o		180		mW	V _{DD} =4.5V
Flash Frequency	F_{tet}		0.1	❖	Hz	External \pm 30%

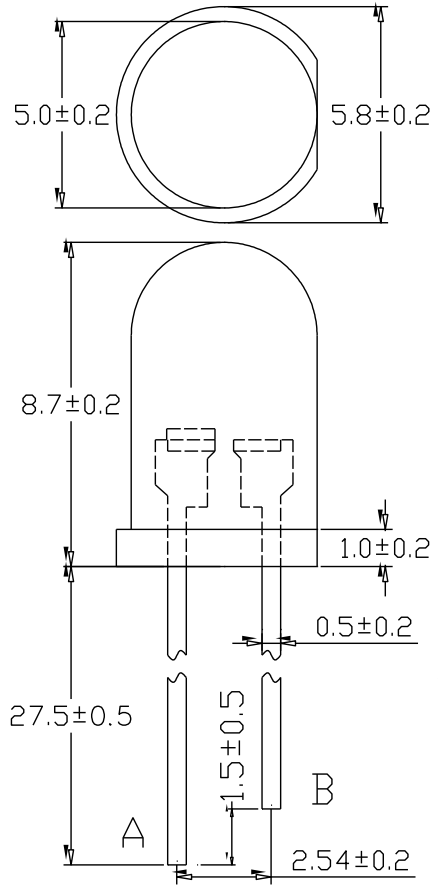
*All specs and applications shown above subject to change without prior notice.

Application diagram or Dimensions

Application Diagram



Dimensions



Note:
Unit:mm
A:Anode
B:Cathode

Flash Picture

