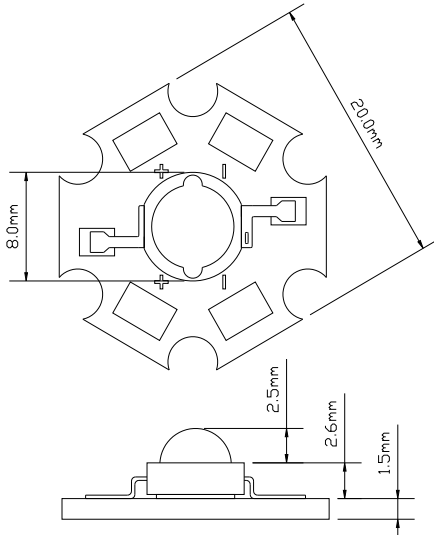


## Package Dimensions



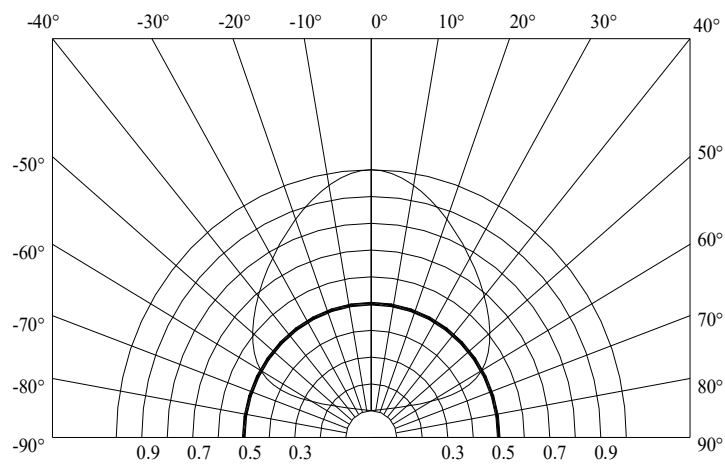
## Material's Picture



### Notes

1. All dimensions are in millimeters (inches).
2. Tolerance is  $\pm 0.25\text{mm}(0.010\text{'})$  unless otherwise noted.
3. Protruded resin under flange is 1.0mm(0.04") max.
4. Lead spacing is measured where the leads emerge from the package.
5. Specifications are subject to change without notice.

## Spatial Distribution



PART NUMBER	REV	PAGE	DATE
FD-5CW450-Y1	R101	1/4	

---

---

**Electrical / Optical Characteristics at TA=25°C**

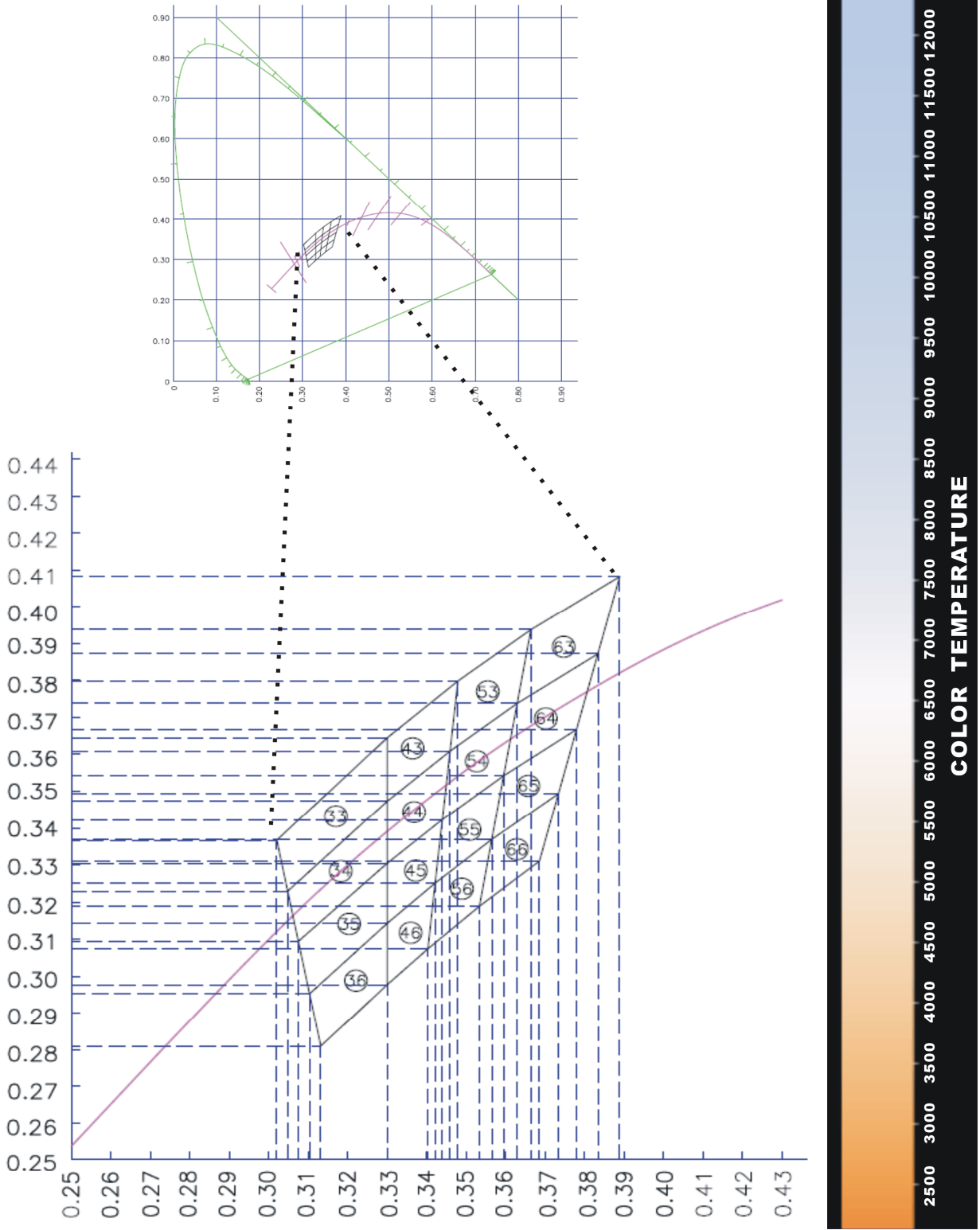
Parameter	Symbol	Min.	Typ.	Max.	Unit	Test Condition
Luminous Intensity	$\Phi$	450		500	lm	IF =1400mA
Viewing Angle	$2\theta_{1/2}$		140		deg	IF =1400mA
Color temperature	Tc	7000		8000	K	IF =1400mA
Spectral Line Half-Width	$\Delta\lambda$				nm	IF =1400mA
Forward Voltage	VF	3.40		3.60	V	IF =1400mA
Reverse Current	IR			10	$\mu$ A	VR = 5V

**Absolute Maximum Ratings at TA=25°C**

Parameter	Maximum Rating
Power Dissipation	5W
Peak Forward Current (1/10 Duty Cycle, 0.1ms Pulse Width)	2800mA
Continuous Forward Current	1400mA
Derating Linear From 30°C	0.8mA/°C
Reverse Voltage	5V
Operating Temperature Range	-20°C to + 80°C
Storage Temperature Range	-30°C to + 100°C
Temperature [1.6mm(.063") From Body]	260°C for 5 Seconds

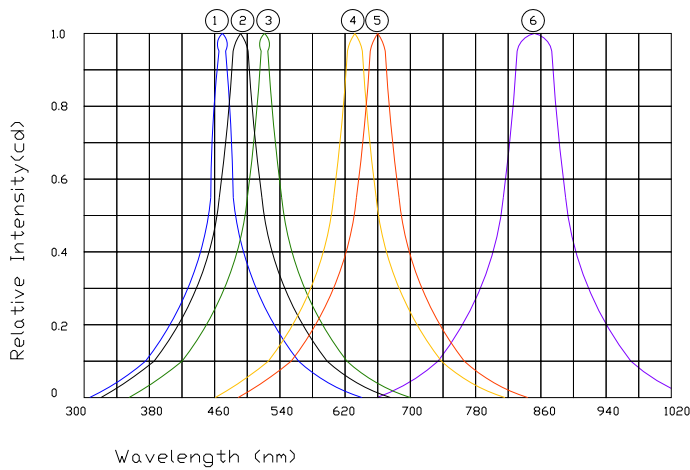
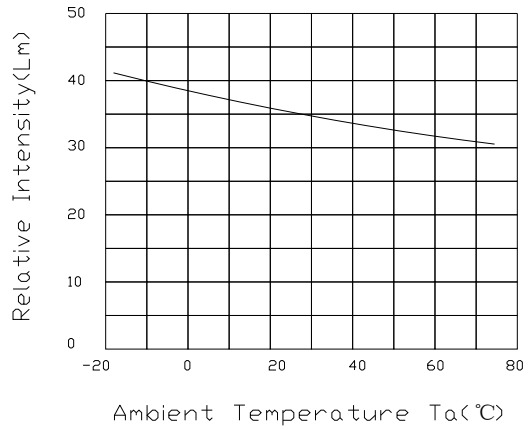
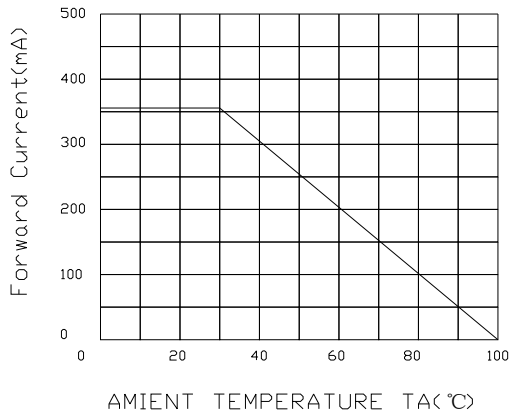
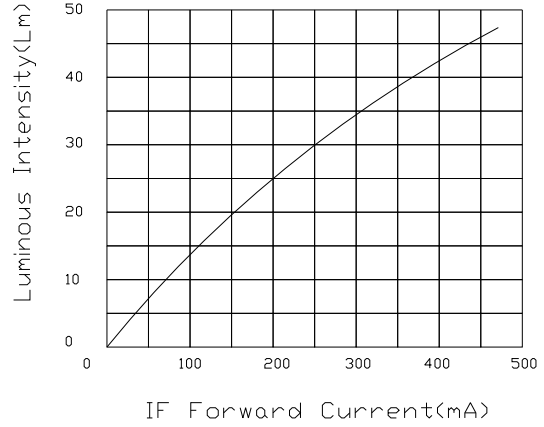
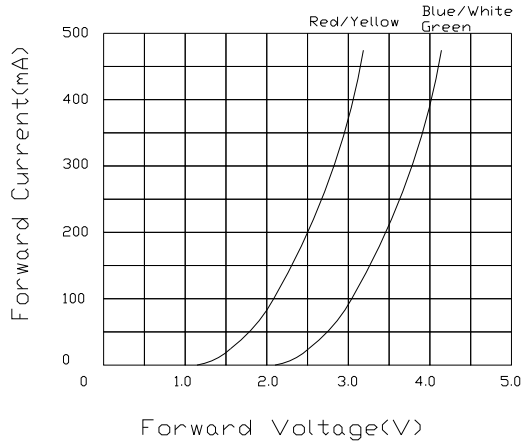
PART NUMBER	REV	PAGE	DATE
FD-5CW450-Y1	R101	2/4	

# Chromaticity Coordinate Groups



PART NUMBER	REV	PAGE	DATE
FD-5CW450-Y1	R101	3/4	

# HIGH POWER LED Typical Electro-Optical Characteristics Curves



- ① Blue Lamp(InGaN)
- ② White Lamp(InGaN)
- ③ Pure Green Lamp(InGaN)
- ④ Yellow Green Lamp(AlInGaP)
- ⑤ Red Lamp(AlInGaP)
- ⑥ Infrared Lamp(850nm)

PART NUMBER	REV	PAGE	DATE
FD-5CW450-Y1	R101	4/4	