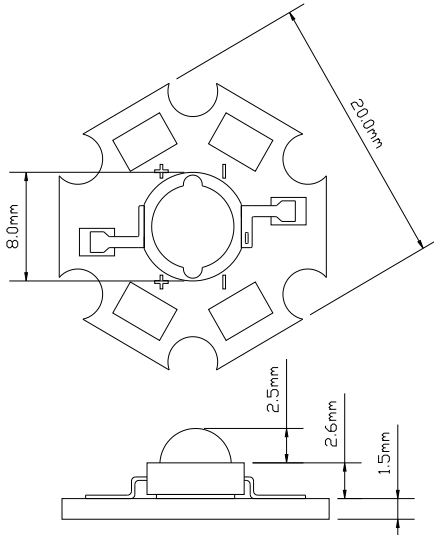
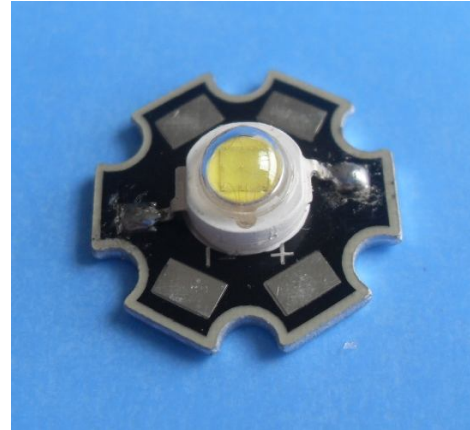


Package Dimensions



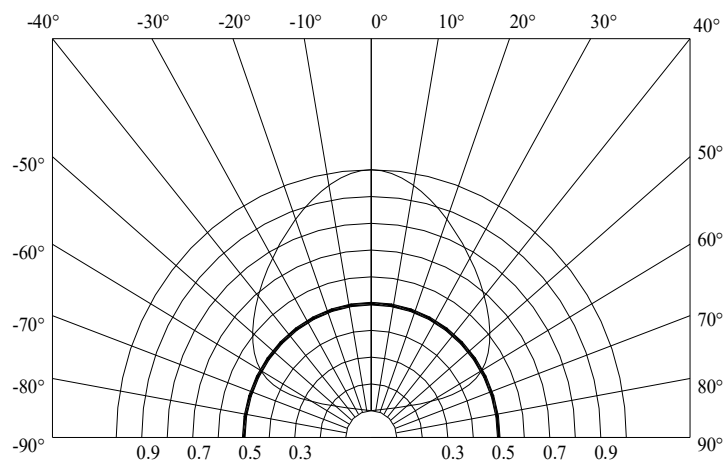
Material's Picture



Notes

1. All dimensions are in millimeters (inches).
2. Tolerance is $\pm 0.25\text{mm}(0.010\text{'})$ unless otherwise noted.
3. Protruded resin under flange is $1.0\text{mm}(0.04\text{'})$ max.
4. Lead spacing is measured where the leads emerge from the package.
5. Specifications are subject to change without notice.

Spatial Distribution



PART NUMBER	REV	PAGE	DATE
FD-5CW450-Y1	R101	1/4	

Electrical / Optical Characteristics at TA=25°C

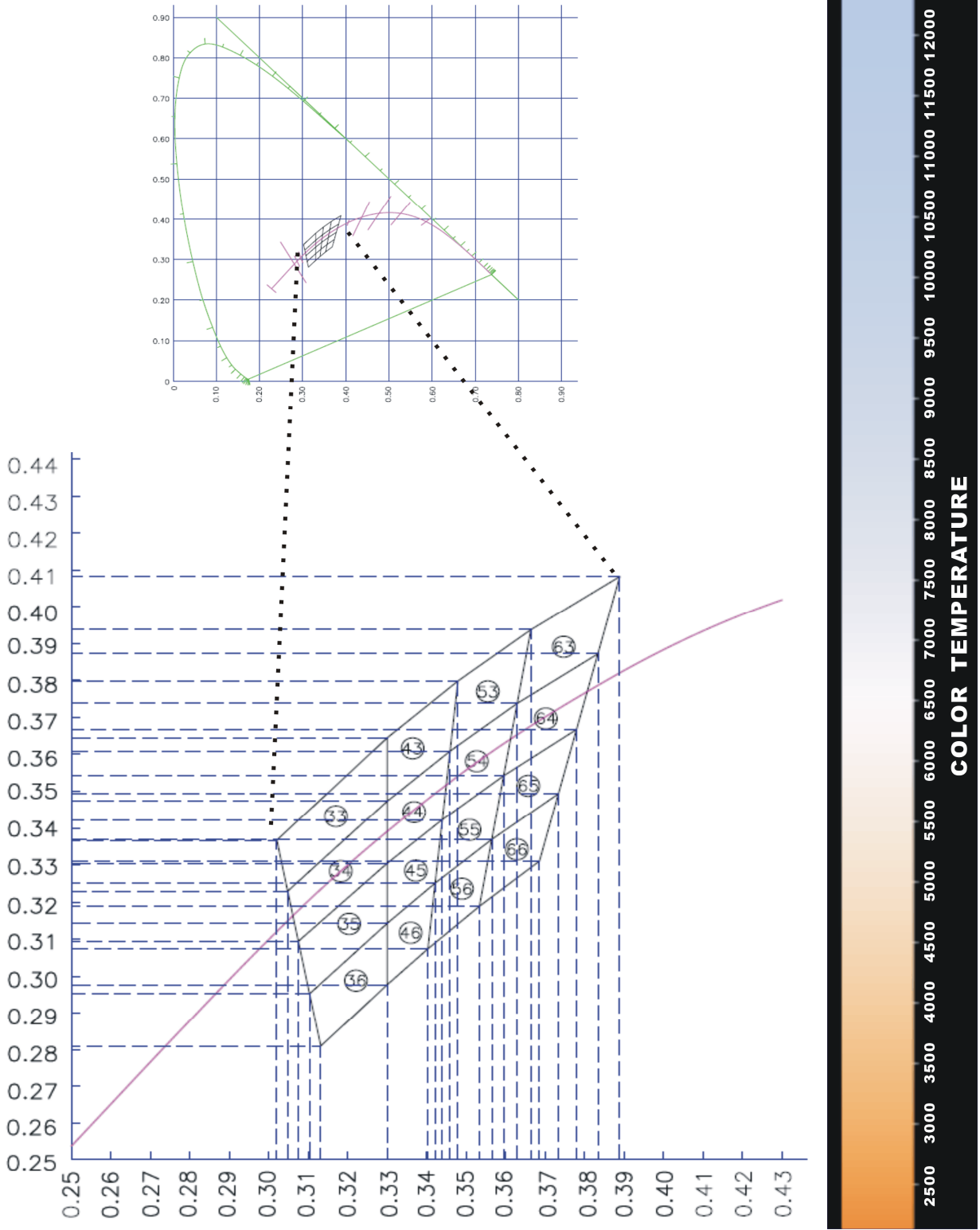
Parameter	Symbol	Min.	Typ.	Max.	Unit	Test Condition
Luminous Intensity	Φ	450		500	lm	IF =1400mA
Viewing Angle	$2\theta_{1/2}$		140		deg	IF =1400mA
Color temperature	Tc	7000		8000	K	IF =1400mA
Spectral Line Half-Width	$\Delta\lambda$				nm	IF =1400mA
Forward Voltage	VF	3.40		3.60	V	IF =1400mA
Reverse Current	IR			10	μ A	VR = 5V

Absolute Maximum Ratings at TA=25°C

Parameter	Maximum Rating
Power Dissipation	5W
Peak Forward Current (1/10 Duty Cycle, 0.1ms Pulse Width)	2800mA
Continuous Forward Current	1400mA
Derating Linear From 30°C	0.8mA/°C
Reverse Voltage	5V
Operating Temperature Range	-20°C to + 80°C
Storage Temperature Range	-30°C to + 100°C
Temperature [1.6mm(.063") From Body]	260°C for 5 Seconds

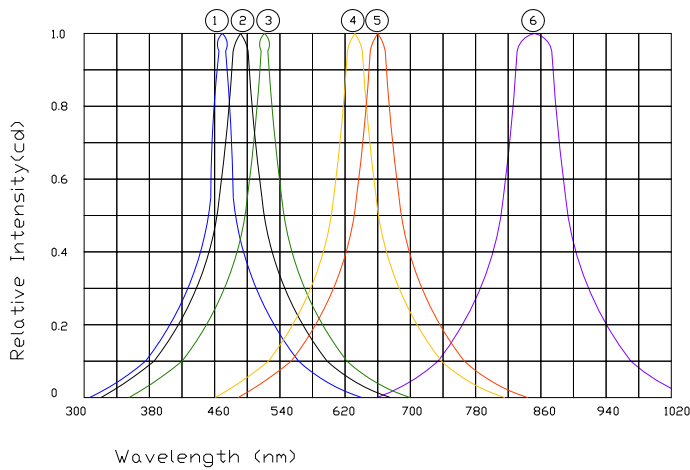
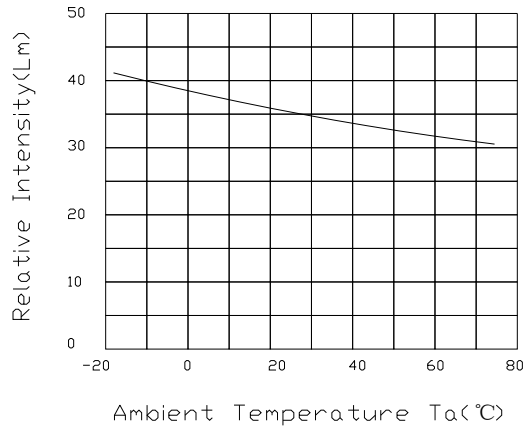
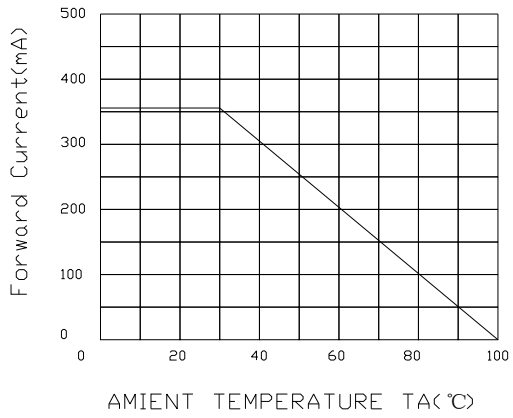
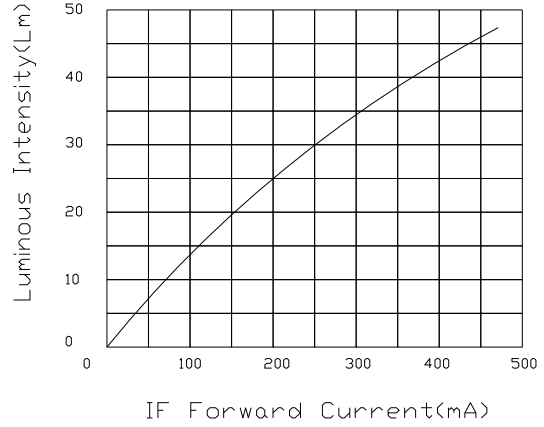
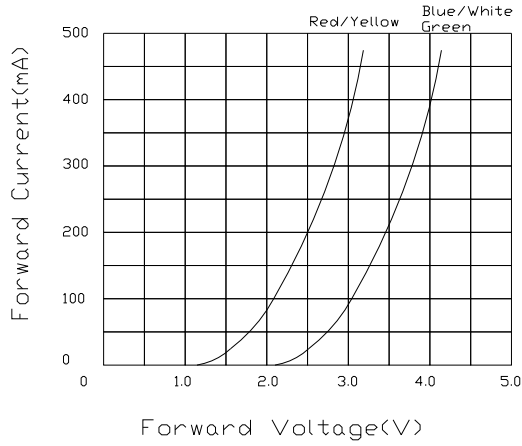
PART NUMBER	REV	PAGE	DATE
FD-5CW450-Y1	R101	2/4	

Chromaticity Coordinate Groups



PART NUMBER	REV	PAGE	DATE
FD-5CW450-Y1	R101	3/4	

HIGH POWER LED Typical Electro-Optical Characteristics Curves



- ① Blue Lamp(InGaN)
- ② White Lamp(InGaN)
- ③ Pure Green Lamp(InGaN)
- ④ Yellow Green Lamp(AlInGaP)
- ⑤ Red Lamp(AlInGaP)
- ⑥ Infrared Lamp(850nm)

PART NUMBER	REV	PAGE	DATE
FD-5CW450-Y1	R101	4/4	