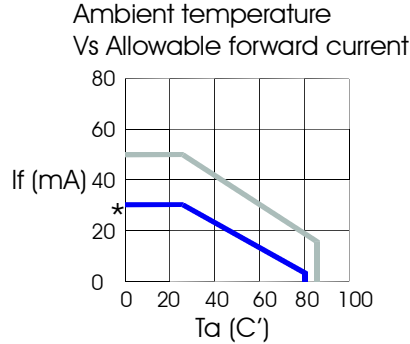
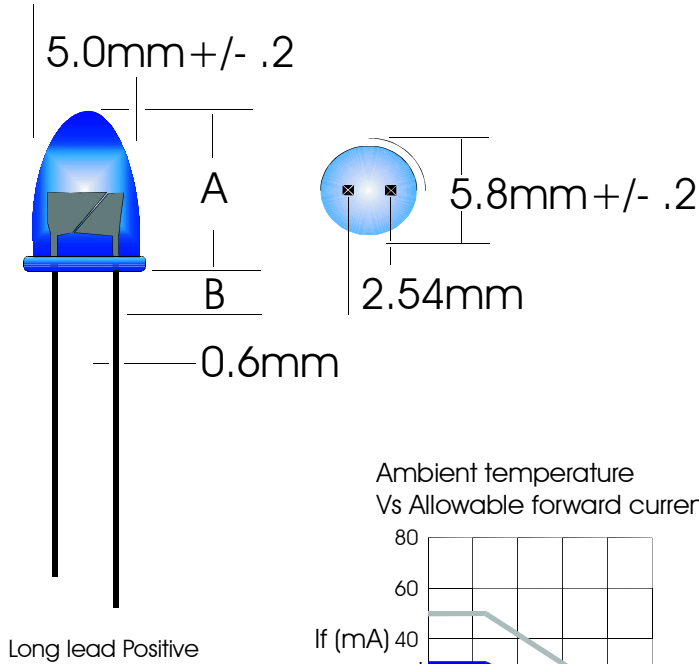


ULTRA BRIGHT T1 3/4

WIDE ANGLE LED's, ROHS compliant,
WATER CLEAR, 12.7mm TAPE&REEL



'A' DIMENSIONS	
RED	8.71mm
ORANGE	8.71mm
YELLOW	8.71mm
GREEN	8.55mm
P. GREEN	8.71mm
BLUE	8.71mm
WHITE	8.3mm

'B' DIMENSIONS	
RED	NO Standoff
ORANGE	NO Standoff
YELLOW	" "
GREEN	" "
P. GREEN	" "
BLUE	" "
WHITE	" "

PART NUMBER	COLOR	ABSOLUTE MAX RATINGS Ta=25 C				ELECTRO- OPTICAL CHARACTERISTICS Ta=25'C					
		Pd mW	Ifp mA	If mA	Vr V	Vf typ/ max	Iv mcd typical	If mA typ	VIEW angle	Ir MAX uA	λP nm
5MF900UR	RED	130	200	50	5	2.0/ 2.8	9000	20	30	100	630
5MF0DJ30	ORANGE	120	200	50	5	1.9/ 2.4	9000	20	30	100	612
5MFYDL30	YELLOW	130	200	50	5	2.0/ 2.8	9000	20	30	100	590
5MFGA159P	GREEN	140	100	30*	4	2.4/ 2.8	1000	20	22	50	574
5MFPG520	P. GREEN	120	100	30*	5	3.2/ 4.0	16800	20	30	50	525
5MFB520	BLUE	120	100	30*	5	3.2/ 4.0	5200	20	30	50	470
5MFW520	WHITE	105	100	35*	5	3.2/3.5	10000	20	50	50	NA

