

## Features

- InGaN ON Sapphire TECHNOLOGY
- HIGH POWER OUTPUT
- 15 DEGREE VIEW ANGLE FOR MAXIMUM LIGHT OUTPUT

# PRELIMINARY

## Absolute Maximum Ratings at $T_A=25^\circ\text{C}$

REVERSE VOLTAGE (<math>I_F</math>=0A).....	5.0V
D.C. FORWARD CURRENT.....	20mA
PULSE CURRENT (1/10 DUTY CYCLE, 0.1 ms PULSE WIDTH).....	100 mA
OPERATING TEMPERATURE RANGE.....	-25 TO +85
STORAGE TEMPERATURE RANGE.....	-25 TO +100
LEAD SOLDERING TEMP. (1.6mm FROM BODY).....	260 FOR 5 SEC.

## Precautions:

These products are sensitive to static electricity; high standard of care must be fully taken when handling them. Particularly if an over-voltage that exceeds the Absolute Maximum Rating of these products were applied, the overflow energy will cause damage to and possibly result in destruction of these products. Buyer shall take absolute secure countermeasures against static electricity and surge when handling these products. Ledtech give no other assurance regarding the ability of product to withstand ESD<sup>(4)</sup>.



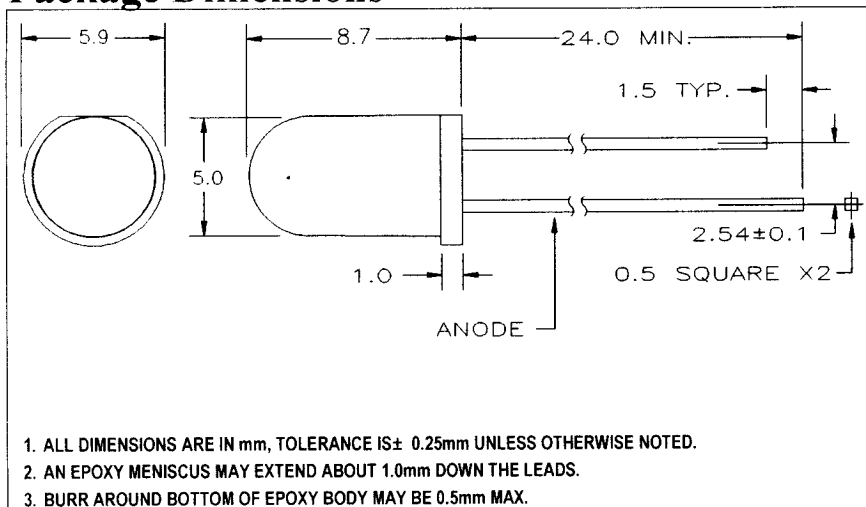
## Electrical/Optical Characteristics at $T_A=25^\circ\text{C}$

PART NUMBER	LED CHIP		LENS COLOR	WAVELENGTH TYP.		FORWARD VOLTAGE @20mA(V)		LUMINOUS INTENSITY @20mA(mcd)		VIEW ANGLE $2\theta_{1/2}$ (deg)
	MATERIAL	EMITTING COLOR		$I_F$ @20mA (nm)		TYP.	MAX.	MIN.	TYP.	
				$\lambda_p$	$\lambda_d$					
T18B333193	InGaN ON Sapphire	BLUE	W.C.	465±10	470±10	3.5	4.0	1000	1500	15

(1) Lens Color:  
W.C....Water Clear

- (2) Specifications are subject to change with out notice.
- (3) All above components are considered; deviations from stated specifications will require a new part number to be assigned.
- (4) Electrostatic Discharge Threshold (HBM): 500V

## Package Dimensions



## Radiation Pattern

