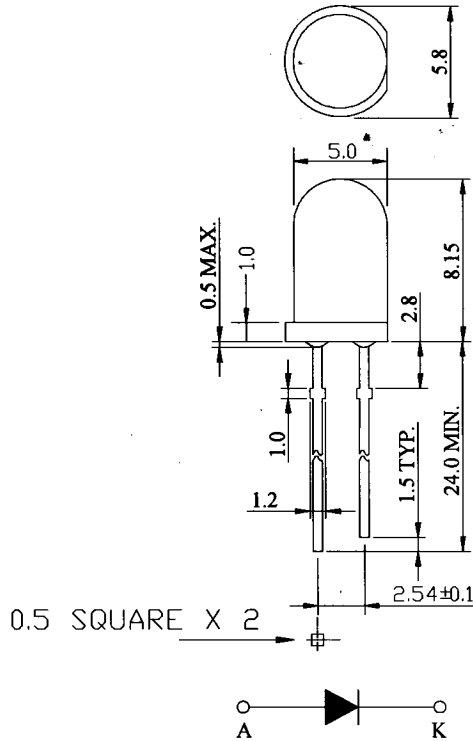


Description

This bluish green lamp is made with InGaN/Sapphire chip and water clear epoxy resin.


Notes:

1. ALL DIMENSIONS ARE IN mm.
2. TOLERANCE IS ± 0.25 mm UNLESS OTHERWISE NOTED.

Description

Part No.	LED Chip		Lens Color
	Material	Emitting Color	
UT4J23-4D-UBC2-S11	InGaN/Sapphire	Bluish green	Water clear

Absolute Maximum Ratings at Ta=25°C

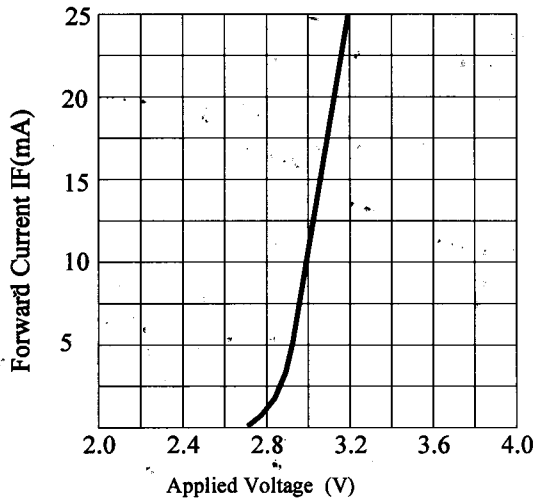
Parameter	Symbol	Rating	Unit
Power Dissipation	PD	120	mW
Reverse Voltage	V _R	5	V
D.C. Forward Current	I _f	30	mA
Reverse (Leakage) Current	I _r	50	μA
Peak Current(1/10Duty Cycle,0.1ms Pulse Width.)	I _f (Peak)	100	mA
Operating Temperature Range	Topr.	-25 to +85	°C
Storage Temperature Range	Tstg.	-40 to +100	°C
Lead Soldering Temp.(1.6mm from body) for 5 seconds	Tsol.	260	°C
Electrostatic discharge	ESD.	6000	V

Electrical and Optical Characteristics:

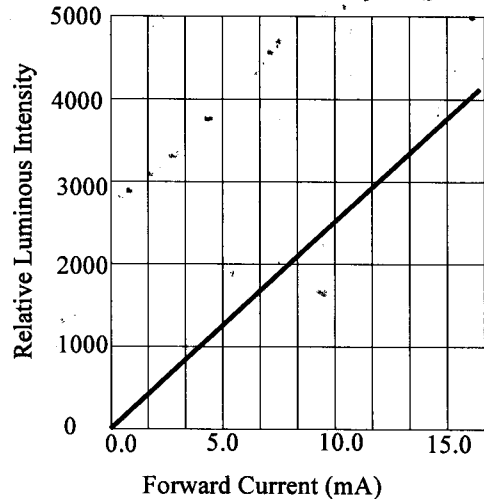
Parameter	Symbol	Condition	Min.	Typ.	Max.	Unit
Luminous Intensity	I _v	I _f =10mA	1000	2500		mcd
Forward Voltage	V _f	I _f =10mA		3.0	3.8	V
Dominant Wavelength	λ _D	I _f =10mA		500		nm
Reverse (Leakage) Current	I _r	V _r =5V			50	μA
Viewing Angle	2θ 1/2	I _f =10mA		28		deg
Spectrum Line Halfwidth	Δλ	I _f =10mA		35		nm

NOTE: THE DATAS TESTED BY IS TESTER

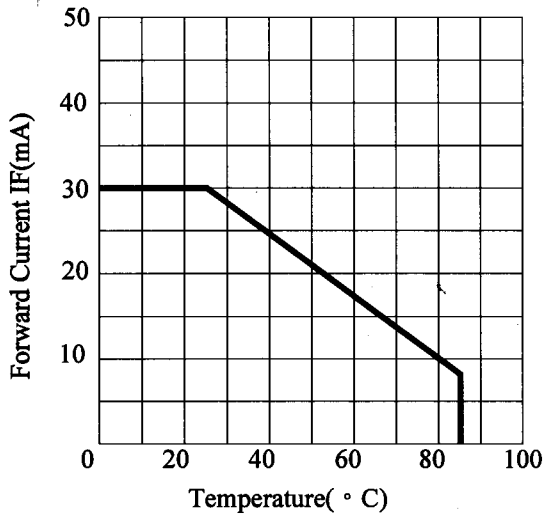
Typical Electrical / Optical Characteristics Curves :



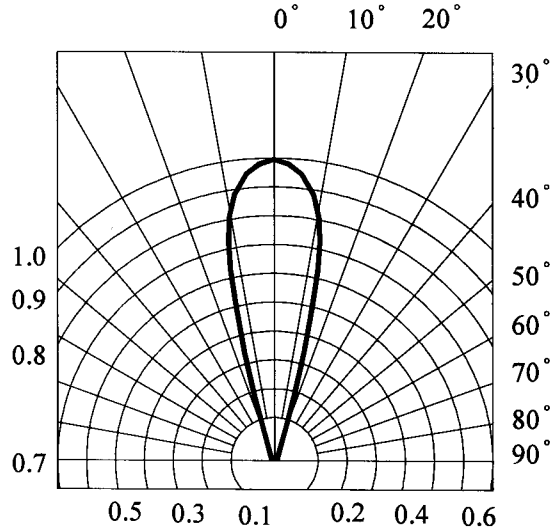
FORWARD CURRENT VS. APPLIED VOLTAGE



FORWARD CURRENT VS. LUMINOUS INTENSITY



FORWARD CURRENT VS. AMBIENT TEMPERATURE



RADIATION DIAGRAM