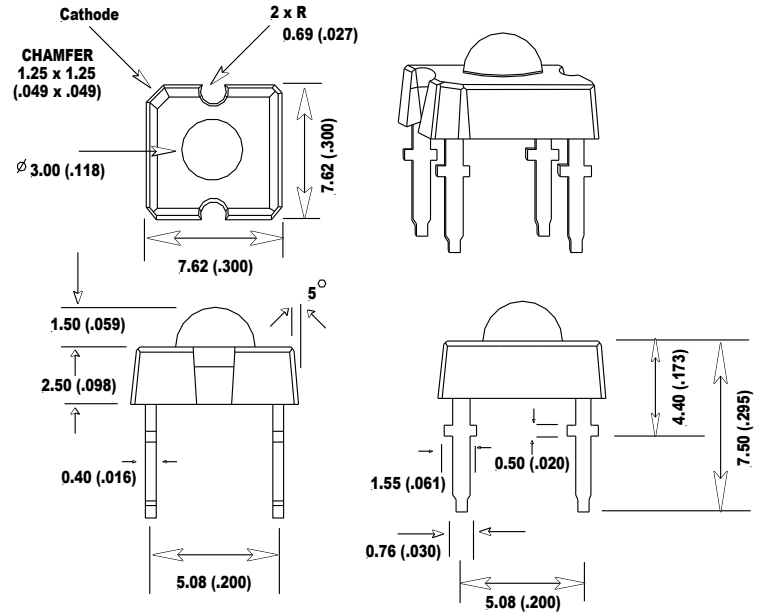


# MVL-914XXC (7.62 MM x 7.62 MM PIRANHA 50°~90°)

Lens Color: **Water Clear**  
 Lens Dimension: **3 mm Diameter Dome**



## Absolute Maximum Ratings At Ta = 25° C

Parameter			Unit
Reverse Voltage	10		V
Operation Temperature	-20°	+80°	°C
LED Junction Temperature	125°		°C
Storage Temperature	-55°	+100°	°C
Solder DIP (5 seconds, 1.6 mm from body) Temperature	260°	± 5°	°C

## Electrical Characteristics At Ta= 25°C

Part Number	Emitted Color		Wavelength	I <sub>F</sub>	Power Dissipation	V <sub>F</sub> (V)			Viewing Angle 2θ	I <sub>V</sub> Total Flux	
	Chip	Color	λ PEAK	mA	mW	Min	Typ	Max	Degrees	I <sub>F</sub> mA	Typ
MVL-914HUOLC	AS AlInGaP	HER	630	70	150	1.7	2.2	2.79	70	70	2,500
MVL-914UOLC	AS InGaAlP	HER	630	50	120	1.9	2.15	2.79	70	50	1,700
MVL-914HUYLC	AS AlInGaP	Yellow	592	70	150	1.7	2.2	2.79	70	70	2,500
MVL-914UYLC	AS AlInGaP	Yellow	592	50	120	1.7	2.15	2.79	70	50	1,700
MVL-914HSOC	AS AlInGaP	Orange	605	70	150	1.7	2.2	2.79	30	70	2,500
MVL-914TUOLC	TS AlInGaP	Red	640	70	182	1.7	2.5	3.15	90	70	4,200
MVL-914TUYLC	TS AlInGaP	Amber	592	70	182	1.7	2.5	3.15	90	70	4,200
MVL-914MTGC	InGaN	Green	525	40	140	3.0	3.7	5.2	50	40	1,200
<b>MVL-914SGC</b>	<b>InGaN</b>	<b>Green</b>	<b>502</b>	<b>40</b>	<b>140</b>	<b>3.0</b>	<b>3.7</b>	<b>5.2</b>	<b>50</b>	<b>40</b>	<b>2,500</b>
MVL-914MBC	InGaN	Blue	468	40	140	3.0	3.7	5.2	50	40	2,200
MVL-914UW	InGaN	White	**	40	140	3.0	3.7	5.2	50	40	2,500
MVL-914MW	InGaN	White	**	40	140	3.0	3.7	5.2	50	40	3,200

### Notes:

- All Dimensions are in millimeters (inches).
- Tolerance is ± 0.25mm (0.010") unless otherwise specified.
- Lead spacing is measured where the leads emerge from the package.
- Specifications are subject to change without notice.