

Flashing Red, Green, Blue LED

CAT# LED-95

Absolute Maximum rating

- Reverse current 100 uA
- Peak current - - duty 100 mA 0.1-1 KHz
- Operating temperature range -30° to +85°
- Lead soldering temperature range 260° for 5 seconds

Electro-optical characteristics

RED COLOR•

Parameter	Symbol	Min	Typ.	Max	Unit	Test Condition
Forward voltage	VF	❖	2.13	2.26	V	IF•20 mA
Luminous intensity	IV		1000	❖	mcd	IF•20 mA
Peak emission wavelength	•p		622	623	nm	❖
Half intensity angle	••	❖	25.6	❖	deg	❖

GREEN COLOR•

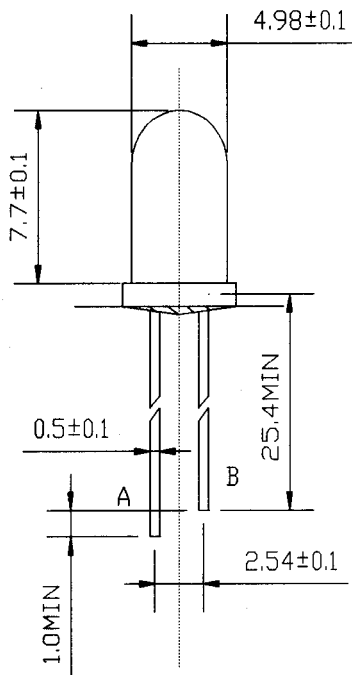
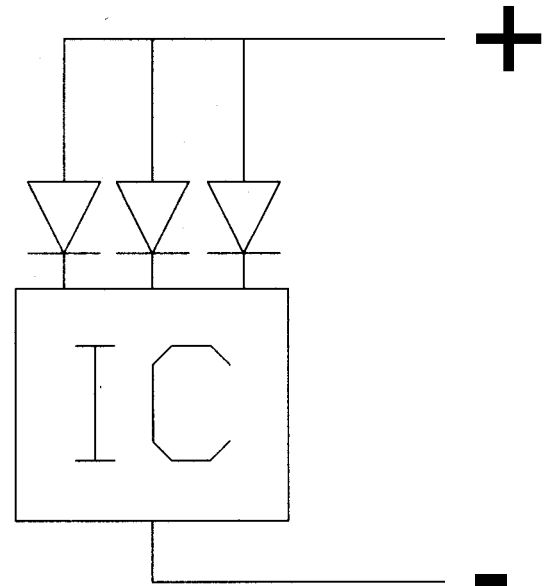
Parameter	Symbol	Min	Typ.	Max	Unit	Test Condition
Forward voltage	VF	❖	3.5	4	V	IF•20 mA
Luminous intensity	IV		1800	❖	mcd	IF•20 mA
Peak emission wavelength	•p		520	535	nm	❖
Half intensity angle	••	❖	21.6	❖	deg	❖

BLUE COLOR•

Parameter	Symbol	Min	Typ.	Max	Unit	Test Condition
Forward voltage	VF	❖	2.5	4	V	IF•20 mA
Luminous intensity	IV		550	❖	mcd	IF•20 mA
Peak emission wavelength	•p		470	475	nm	❖
Half intensity angle	••	❖	21.6	❖	deg	❖

Supply Voltage Range 3.5 - 4.5 Vdc

- **Low standby current**
- **Power on - on mode**
- **Crystal - - - 1.4Hz (one second for 1.4 times)**
- **Driver current 25 mA**
- **Input current : 90 mA**
- **Power consumption : 0.405W**



A = Anode

B = Cathode