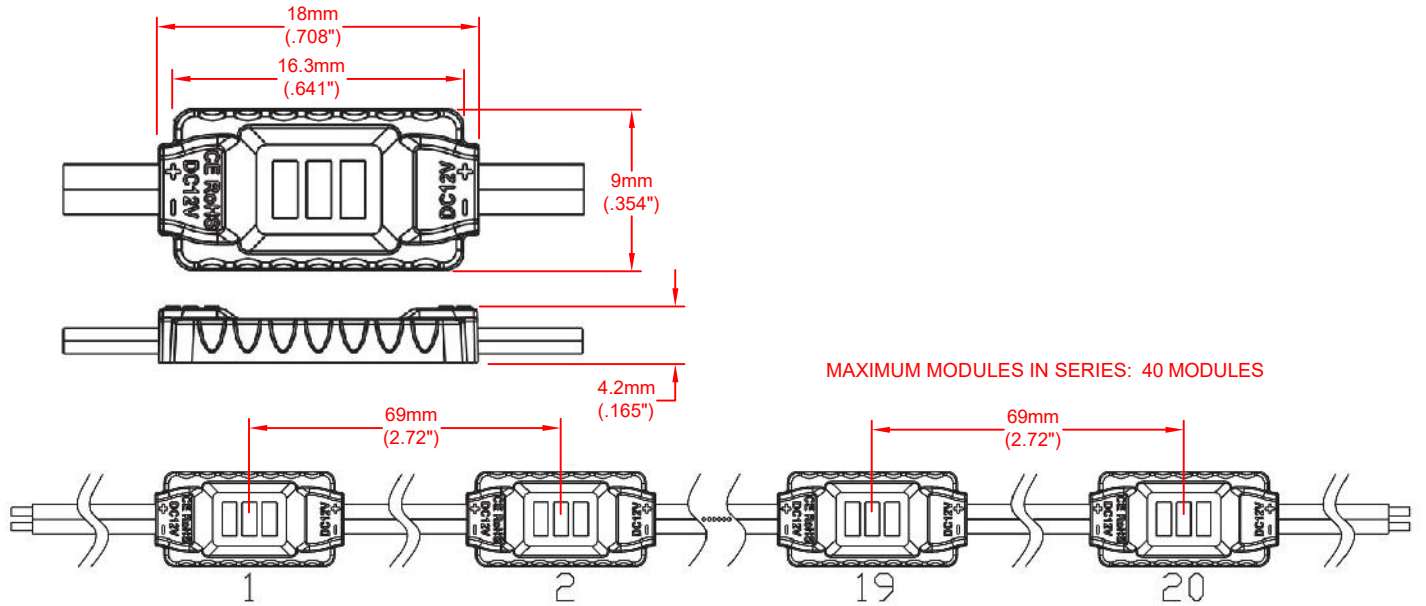


LOW PROFILE 3-LED MINI MODULE

FEATURES

- VOLTAGE: 12V DC
- CURRENT: 30mA PER MODULE
- WATTAGE: .36W PER MODULE
- LED VIEWING ANGLE : 120°
- WATER RESISTANCE: IP67
- PACKAGE: 20 PIECES PER STRAND
- MOUNTING: ADHESIVE BACKING



24 AWG WIRE

Absolute Maximum Rating at TA = 25°C

Parameter	Symbol	Absolute Maximum Rating	Unit
Forward Current	IF	30	mA
Power Dissipation	PD	0.36	W
Electrostatic Discharge	ESD	600	V
Operating Temperature	Topr	-25~+50	°C
Storage Temperature	Tstg	-25~+70	°C

Electrical/Optical Characteristics at TA = 25°C

Parameter	Typical	Unit
Forward Voltage DC	12	VF
Color Temperature	10,000	K
Luminous Flux Per Module	33	lm
Recommend Forward Current	30	mA



OBSERVE PRECAUTION FOR HANDLING ELECTROSTATIC DISCHARGE SENSITIVE DEVICES

JKL PART NO.: ZM-189-CW

METRIC

THIRD ANGLE PROJECTION

DIMENSIONS ARE IN mm & (INCHES)
TOLERANCE UNLESS OTHERWISE SPECIFIED
1 PL +/- REF.
2 PL +/- ANGLE +/-

DRAWN BY L. WENGSTROM
APPV'D BY S.C.
DATE 7/30/18

JKL COMPONENTS CORPORATION

TITLE
LOW PROFILE 3-LED MINI CHANNEL, COOL WHITE

SIZE A	FSCM NO. 55335	DRAWING NO. ZM-189-CW
SCALE NONE	RELEASED DATE 7/28/18	REVISION DATE
- CAD DRAWING - MANUAL REVISIONS NOT PERMITTED		REV. NO. 1 OF 1

REV. NO.	DESCRIPTION/ECO NUMBER	APPV'D DATE
RELEASE		7/28/18