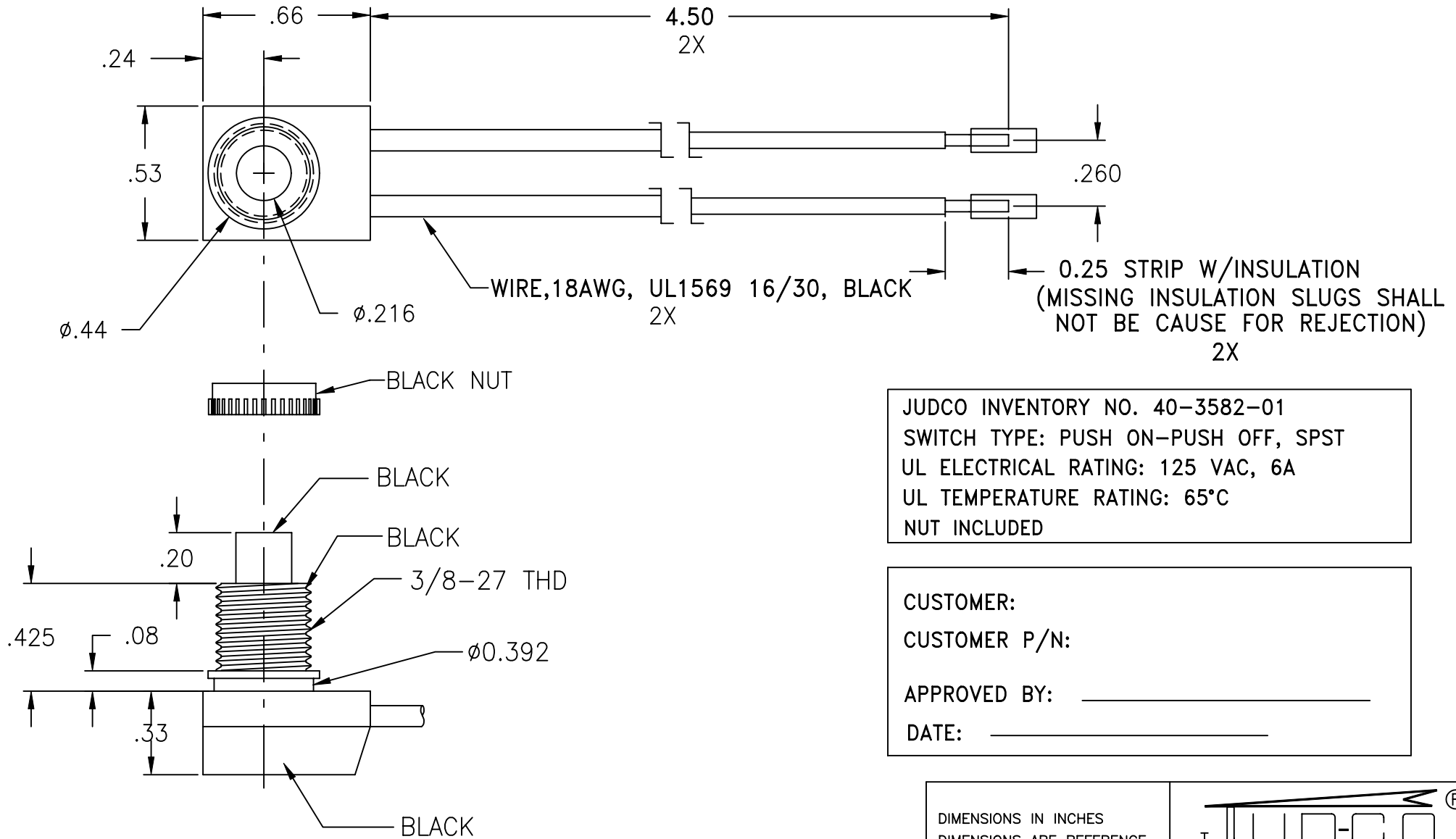
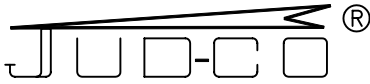


LTR	EN	DESCRIPTION	APPR	BY	DATE
A	-	INITIAL RELEASE	RB	NH	3-29-07
A1	-	REMOVE CUSTOMER NAME & PART NO.	MT	DC	8-18-09



JUDCO INVENTORY NO. 40-3582-01
 SWITCH TYPE: PUSH ON-PUSH OFF, SPST
 UL ELECTRICAL RATING: 125 VAC, 6A
 UL TEMPERATURE RATING: 65°C
 NUT INCLUDED

CUSTOMER:
 CUSTOMER P/N:
 APPROVED BY: _____
 DATE: _____

DIMENSIONS IN INCHES DIMENSIONS ARE REFERENCE		 HARBOR CITY CALIFORNIA TITLE OUTLINE J-188A-1 ULAC	
DRAWN: NH	3-30-07	DWG. NO.	1415-1120
APPR: KJ	8-18-09		
ENG'G: IS	8-18-09		
1415U1120A1.DWG		SHEET	1 OF 1

This document embodies a product, component, and/or design proprietary to JUDCO MANUFACTURING INC., and which is protected either as a trade secret, by U.S. Patent, or by copyright. It may not be used in any way without written express consent of JUDCO MANUFACTURING INC.