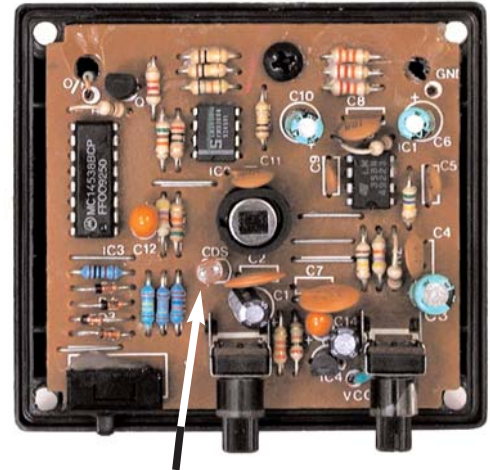
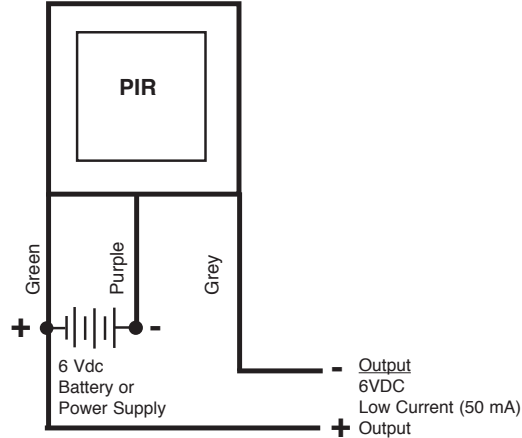


CAT # PIR-2 INFRARED DETECTOR

HOOK-UP INSTRUCTIONS

Passive Infrared Detectors (PIRs) are commonly used in alarm systems and motion activated switches. This unit is designed to activate a flood light, after dark, when motion is detected. It operates on 6Vdc. It detects motion in a span of 120 degrees horizontally and 90 degrees vertically. The unit must be positioned with the controls pointing down and the "Top" marking up. When a moving infrared source, ie. Body heat or a car, is detected a 6Vdc voltage is passed through to the output for a preset time. In the test mode the voltage stays on for approximately 10 seconds. The switch can also be set for 30 or 60 seconds.

The unit is designed for nighttime use. The "darkness" adjustment screw allows it to be used in lighter conditions. If use in daylight is desired, the photoresistor can be cut out of the circuit altogether. To disable the photoresistor, remove the screws in the four corners of the unit and remove the front of the case with the lens assembly. Behind the lens is a pc board. Just below and to the left of the center of the board is a cadmium-sulfide photoresistor marked "CDS". Cut one or both of the leads, and the board will operate in daylight as well as dark conditions.



cadmium-sulfide photoresistor marked "CDS"