

# C+C Miniature LED Digital Panel Meters CX102

CX102 series of digital panel meters proved to be of high reliability, good quality and fine workmanship with competitive pricing for a variety of applications. Combining unmatched performance with a high degree of reliability, the 3-1/2 digit LED panel meter is the first choice for many applications that require instrumentation.

CX102 series consist of 2 versions:

- 1) CX102A: 9V independent power supply.
- 2) CX102B: 5V power supply, power supply and signal under measurement can have common ground

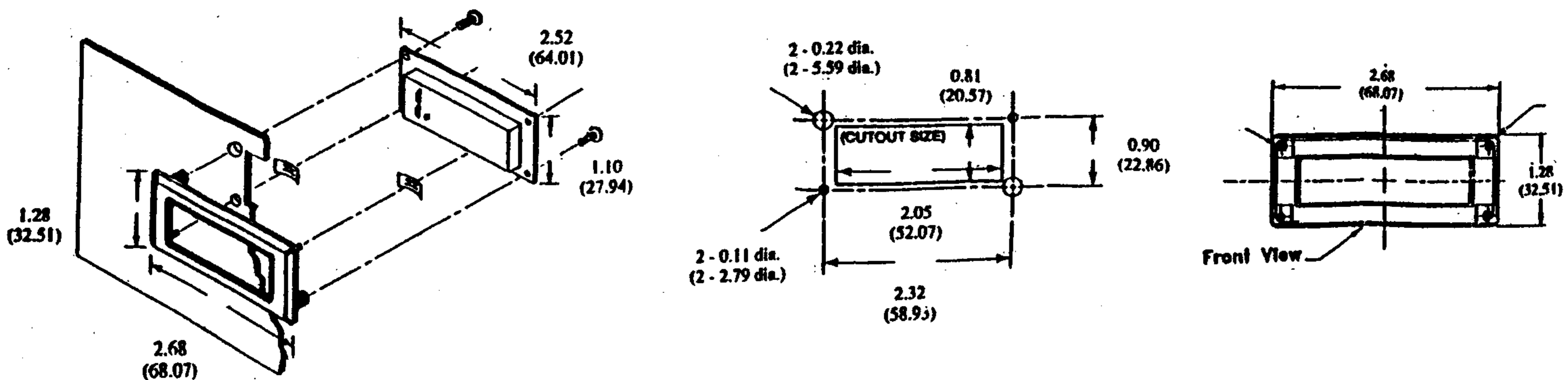


## Specifications:

Display	CX102A	CX102B
Type of display	LED, red super bright	LED, red super bright
Digits	3-1/2digits (1999)14.2mm figure height	3-1/2digits (1999)14.2mm figure height
Polarity	Automatic. (-) for negative value	Automatic. (-) for negative value
Power	9V powered, independent	5V powered, common ground
Decimal Point	User selectable	User selectable
Over Range	blinking all digits	blinking all digits
Input(Analog)		
Full scale range	200mV	200mV
Configuration	True differential input & reference	True differential input & reference
Bias Current	10pA maximum	10pA maximum
Impedance	10MΩ	10MΩ
Operation		
Accuracy	±(0.1%rdg.+2 dgt.)	±(0.1%rdg.+2 dgt.)
Conversion rate	2.5 per second	2.5 per second
Com Mode Voltage	±1V maximum	±1V maximum
Com Mode Reject	>86 decibels	>86 decibel
Zeroing	Automatic	Automatic
Tempco	Standard +100ppm/°C	Standard +100ppm/°C
Operating Temp	Standard 0 to 50°C	Standard 0 to 50°C
Storage Temp	Standard -20 to 70°C	Standard -20 to 70°C
Mounting	Window Plug-in with clip	Window Plug-in with clip
Connection Pins	10 pins	10 pins

- Pin 1 - V+
- Pin 2 - V-
- Pin 3 - DP COM, Analog Common
- Pin 4 - DP1, Decimal point left of hundreds digit
- Pin 5 - DP2, Decimal point left of tens digit
- Pin 6 - DP3, Decimal point left of units digit

- Pin 7 - INPUT (+)
- Pin 8 - INPUT (-) Pin 10 - No Connection
- Pin 9 - No Connection
- Pin 10 - No Connection



### Full Scale Adjustment

This is done and Q.Ced in our factory. However, after adding voltage divider, further adjustment sometimes is needed to the trimpot on the back of this DPM.

### Input/Output Connections (for CX102B only)

In systems where the power supply and signal under measurement are isolated, pins 2 and 8 should be connected directly or through a 10KΩ resistor.

### Decimal Point Selection

The decimal point is user selectable for three positions by simple pinstrapping. The decimal point is selected as follows:

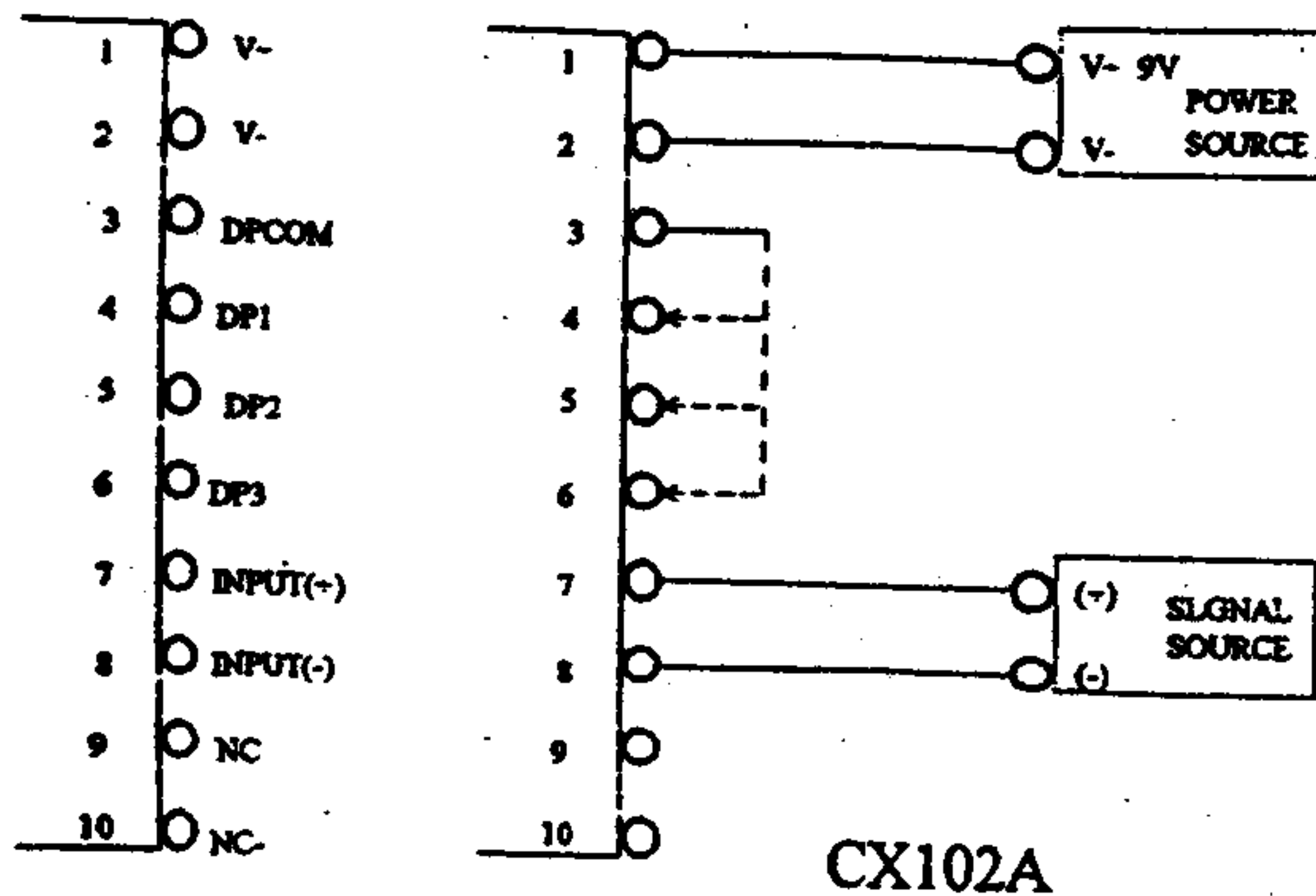
- Pin 4 shortcircuits to Pin 3 - lights the decimal point left to hundreds digit
- Pin 5 shortcircuits to Pin 3 - lights the decimal point left to tens digit
- Pin 6 shortcircuits to Pin 3 - lights the decimal point left to units digit

### Caution

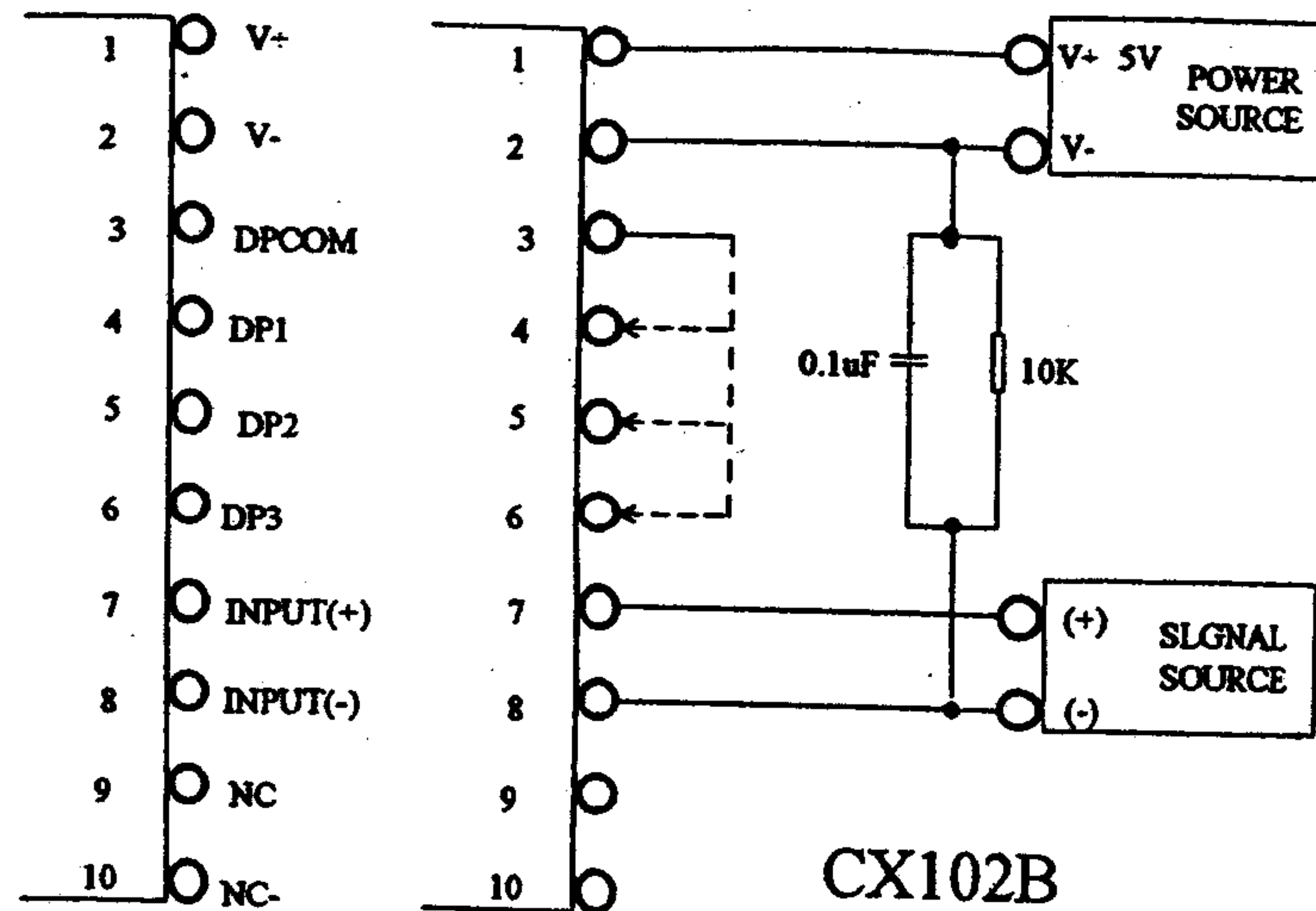
*For CX102A, the supply voltage should be between 7.2-11V DC*

*For CX102B, the supply voltage should be between 4.75-5.25V DC.*

*If outside the operating voltage, it will damage the units permanently.*



Wiring Diagram for CX102A (9V independent P/S)



Wiring Diagram for CX102B (5V common ground P/S)