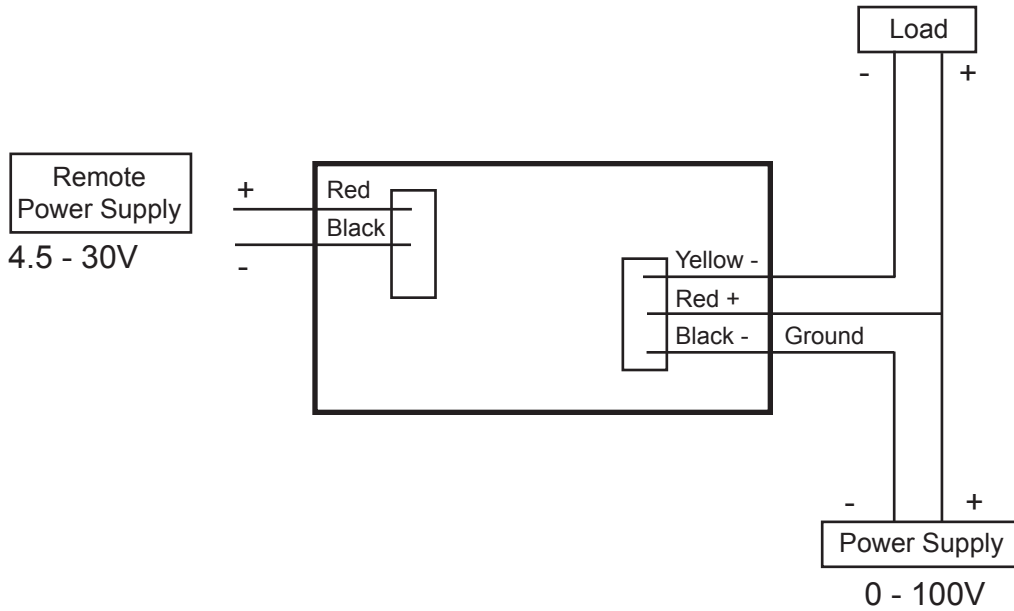


CAT# PM-23

Dual Digit Panel Meter, 0.28"

#1 with Separate Power Source

Measurement range: 0 - 100 V, 0 - 5 A



#2 with Shared Power Source

Measurement range: 3.5 - 30 V, 0 - 5 A

