

Features

- * LOW CURRENT REQUIREMENTS
- * EXCELLENT CHARACTER APPEARANCE
- * HIGH LIGHT OUTPUT
- * RELIABLE AND RUGGED
- * IC COMPATIBLE

PRELIMINARY

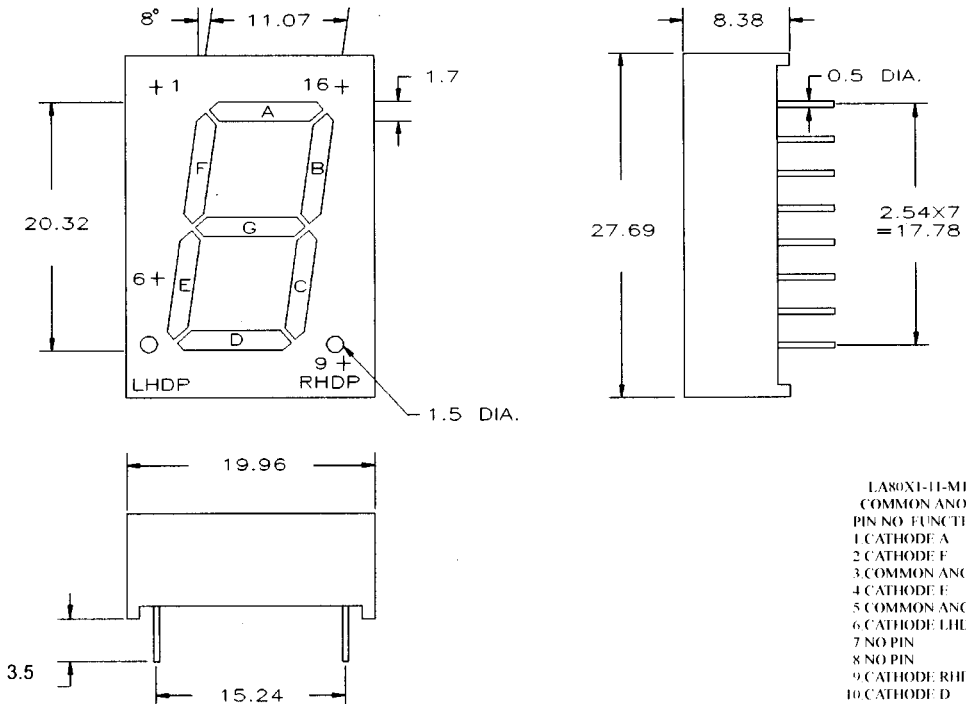
Absolute Maximum Ratings at T_A=25°C

REVERSE VOLTAGE PER LED CHIP (<100μ A)	4.0V
D.C. FORWARD CURRENT PER LED CHIP	30 mA
PULSE CURRENT (1/10 DUTY CYCLE, 0.1 ms PULSE WIDTH) PER LED CHIP	100 mA
OPERATING TEMPERATURE RANGE	-25°C TO +85°C
STORAGE TEMPERATURE RANGE	-25°C TO +100°C
LEAD SOLDERING TEMP. (1.6mm FROM SEATING PLANE)	260°C FOR 3 SEC.

Electrical/optical characteristics at T_A=25°C

PART NUMBER	LED CHIP	FACE COLOR		PEAK WAVELENGTH @20mA(nm)	FORWARD VOLTAGE @20mA(V)		LUMINOUS INTENSITY @10(mcd)		
		MATERIAL	EMITTING COLOR		SURFACE	SEGMENT OR DOT	TYP.	MAX.	MIN.
LA8071-11-M1EWRW	GaAlAs ON GaAs	RED	GREY	WHITE	660	1.7	2.0	5.3	8.9

Package Dimensions And Pin Function



- LA8071-11-M1
COMMON ANODE
PIN NO. FUNCTION
1 CATHODE A
2 CATHODE F
3 COMMON ANODE
4 CATHODE E
5 COMMON ANODE
6 CATHODE LHDP
7 NO PIN
8 NO PIN
9 CATHODE RHDP
10 CATHODE D
11 COMMON ANODE
12 CATHODE C
13 CATHODE G
14 CATHODE B
15 NO PIN
16 COMMON ANODE

1. ALL DIMENSIONS ARE IN mm, TOLERANCE IS ±0.25mm UNLESS OTHERWISE NOTED.

2. THE SLOPE ANGLE OF ANY PIN MAY BE ±5.0° MAX.