

Features

- * LOW CURRENT REQUIREMENTS
- * EXCELLENT CHARACTER APPEARANCE
- * HIGH LIGHT OUTPUT
- * RELIABLE AND RUGGED
- * IC COMPATIBLE

PRELIMINARY

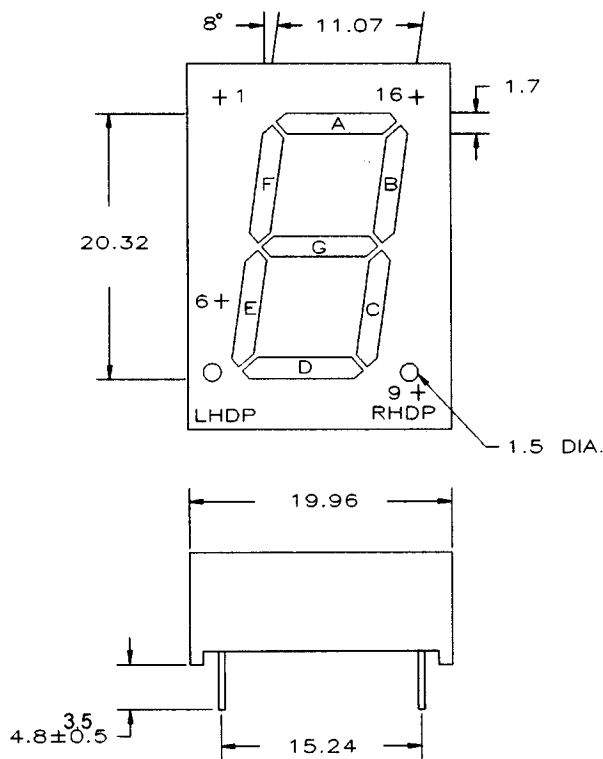
Absolute Maximum Ratings at $T_A=25^\circ\text{C}$

REVERSE VOLTAGE PER LED CHIP ($<100\mu\text{A}$)	4.0V
D.C. FORWARD CURRENT PER LED CHIP	30 mA
PULSE CURRENT (1/10 DUTY CYCLE, 0.1 ms PULSE WIDTH) PER LED CHIP	100 mA
OPERATING TEMPERATURE RANGE	-25 TO +85
STORAGE TEMPERATURE RANGE	-25 TO +100
LEAD SOLDERING TEMP. (1.6mm FROM SEATING PLANE)	260 FOR 3 SEC.

Electrical/optical characteristics at $T_A=25^\circ\text{C}$

PART NUMBER		LED CHIP		FACE COLOR		PEAK WAVELENGTH @20mA(nm)	FORWARD VOLTAGE @20mA(V)		LUMINOUS INTENSITY @10(mcd)	
COMMON ANODE	I.D. Marking On part	MATERIAL	EMITTING COLOR	SURFACE	SEGMENT OR DOT		TYP.	MAX.	MIN.	TYP.
LA8071-11-M1EWRW	A801SR GW CL	GaAlAs ON GaAs	RED	GREY	WHITE	660	1.7	2.0	5.3	8.9

Package Dimensions And Pin Function



- LA80X1-11-M1
COMMON ANODE
PIN NO. FUNCTION
- 1 CATHODE A
 - 2 CATHODE F
 - 3 COMMON ANODE
 - 4 CATHODE E
 - 5 COMMON ANODE
 - 6 CATHODE LHDP
 - 7 NO PIN
 - 8 NO PIN
 - 9 CATHODE RHDP
 - 10 CATHODE D
 - 11 COMMON ANODE
 - 12 CATHODE C
 - 13 CATHODE G
 - 14 CATHODE B
 - 15 NO PIN
 - 16 COMMON ANODE

- LC80X1-11-M1
COMMON CATHODE
PIN NO. FUNCTION
- 1 ANODE A
 - 2 ANODE F
 - 3 COMMON CATHODE
 - 4 ANODE E
 - 5 COMMON CATHODE
 - 6 ANODE LHDP
 - 7 NO PIN
 - 8 NO PIN
 - 9 ANODE RHDP
 - 10 ANODE D
 - 11 COMMON CATHODE
 - 12 ANODE C
 - 13 ANODE G
 - 14 ANODE B
 - 15 NO PIN
 - 16 COMMON CATHODE

1. ALL DIMENSIONS ARE IN mm, TOLERANCE IS $\pm 0.25\text{mm}$ UNLESS OTHERWISE NOTED.
 2. THE SLOPE ANGLE OF ANY PIN MAY BE $\pm 5.0^\circ$ MAX.