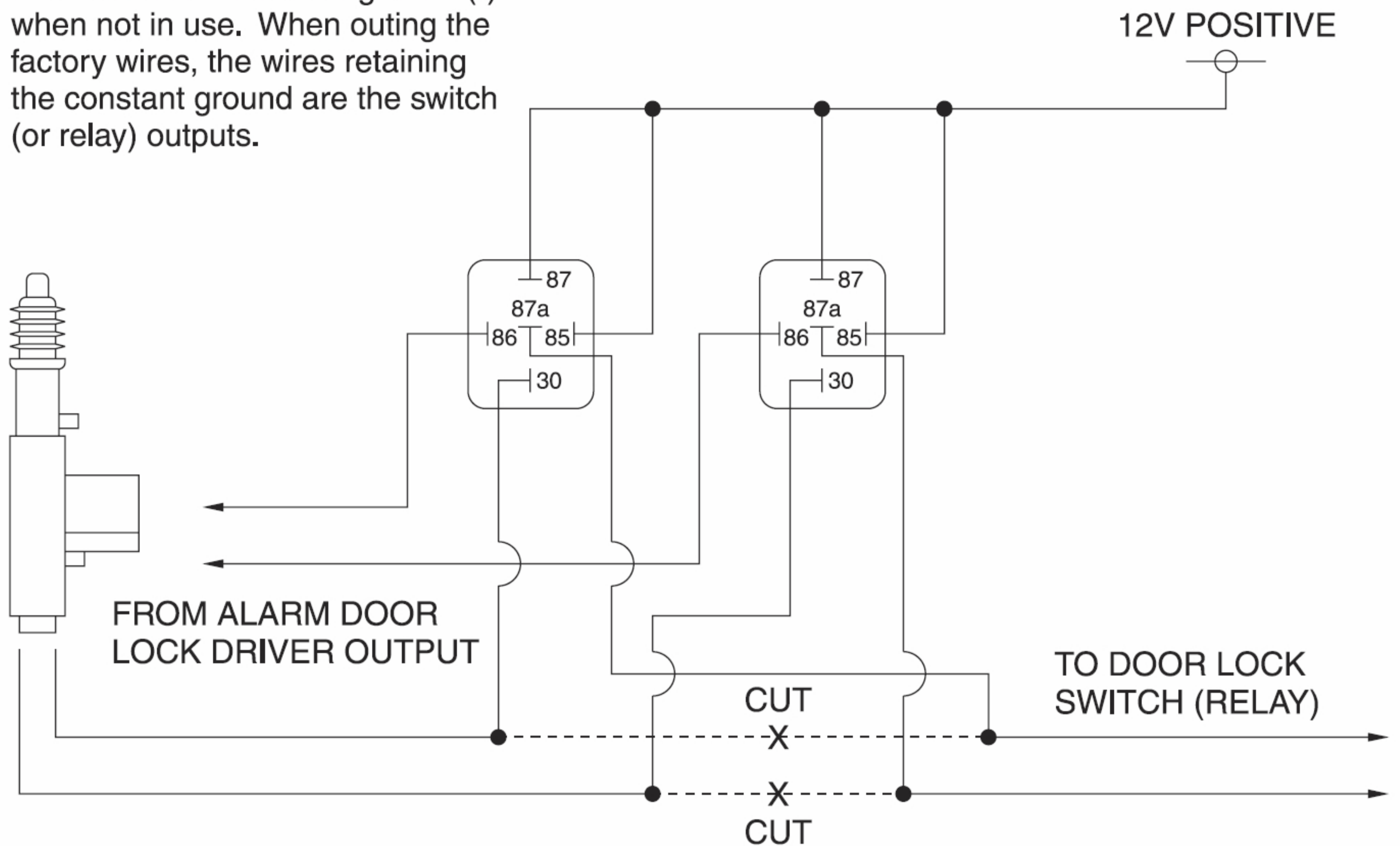


## REVERSING POLARITY DOOR LOCKS

Wires for factory reversing polarity locks will show constant ground (-) when not in use. When outing the factory wires, the wires retaining the constant ground are the switch (or relay) outputs.



## REVERSING POLARITY NEGATIVE OUTPUT

Adding a door actuator using door lock and unlock circuit, reversing polarity positive 12V output.

