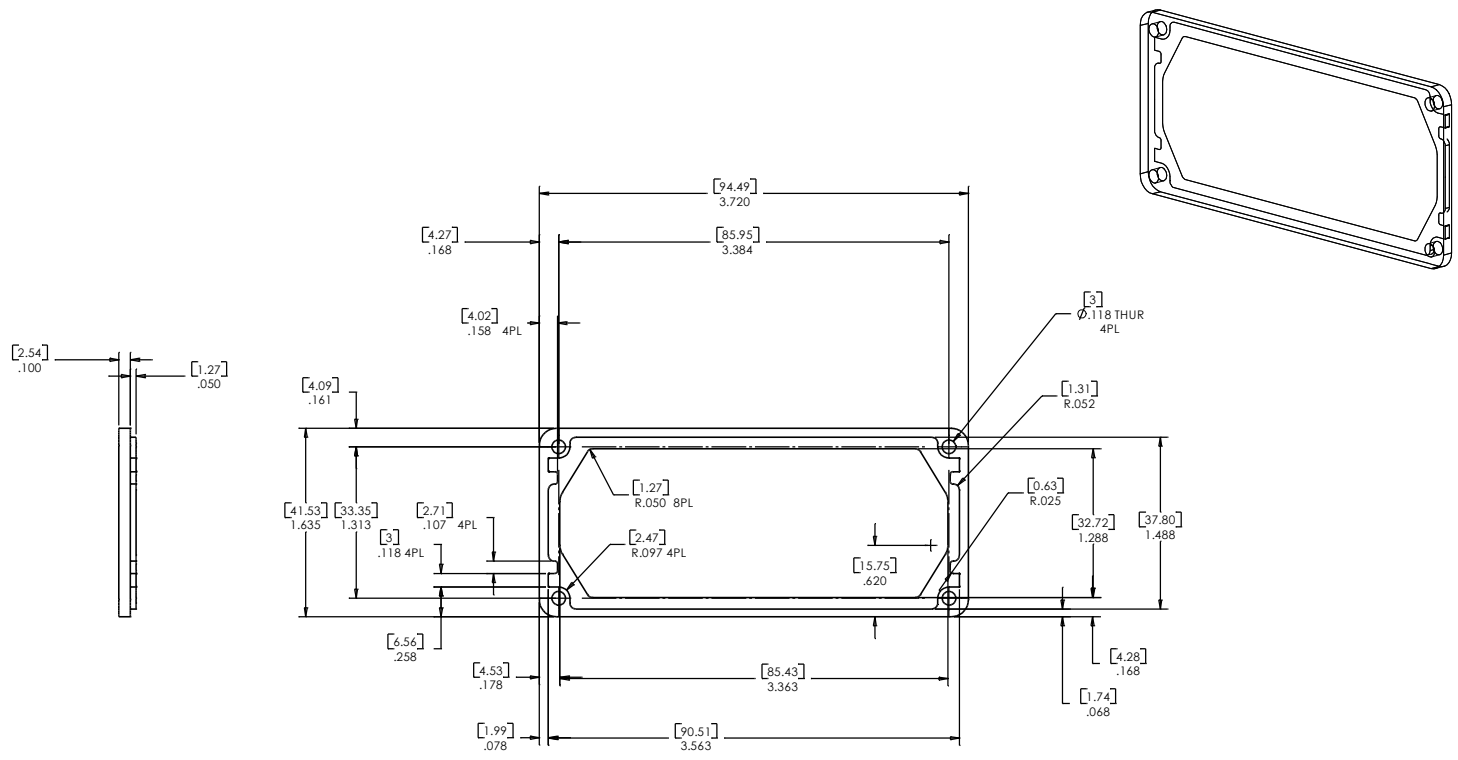


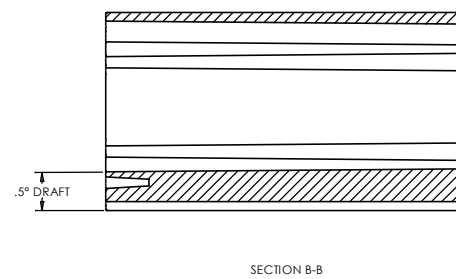
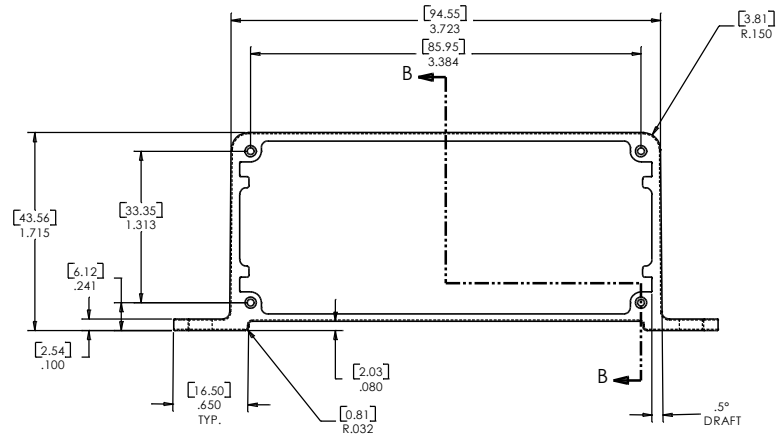
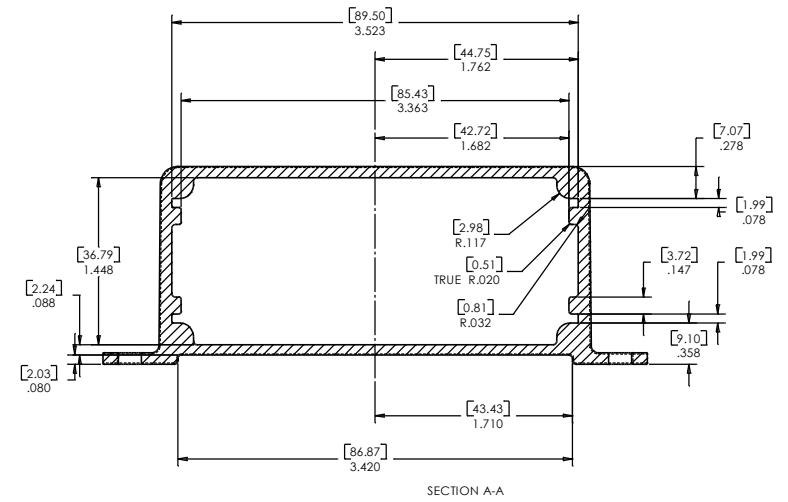
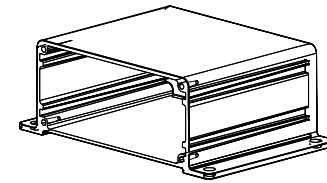
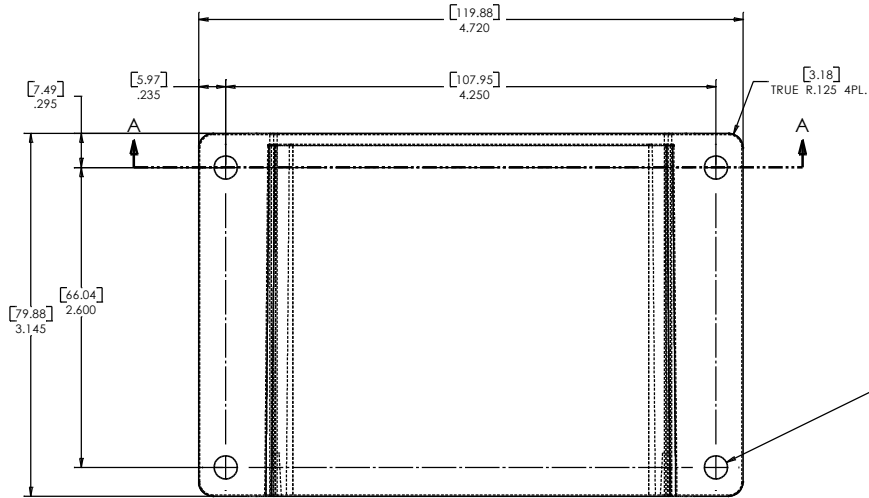
ECO	REV	DESCRIPTION	DATE	DRAWN	APPS



All dimensions are in inches unless otherwise specified.

Fitted copies must be verified against dimensions master before use.		Letzgo Products Inc. 829 S. 15th Place Okla, AZ 85324 www.letzgo.com info@letzgo.com Ph: 514-231-0443 Fax: 405-626-3635	
Drawn by: R. Aire Date: 2/9/06	Checked by: D. Utley Date: 2/9/06	Title: Cover For 2 PCBs 3" x 3.5"	Size: D Scale: 2:1
Preliminary Information: Under drawing and specifications are the property of Letzgo Products Inc. All rights reserved. No part of this document may be reproduced without written permission.		Drawing: 10230-1 Release: 10230-1_A	Part: A Sheet: 1 of 1

ECO	REV	DESCRIPTION	DATE	DRAWN	APPROV



All dimensions are in inches unless otherwise specified.

Fitted copies must be verified against dimensions master before use.		Letzgo Products Inc.	
Drawn by: R. Aire	Date: 2/19/06	8229 S. 158th Place	www.letzgo.com
Checked by: D. Utley	Date: 2/19/06	Eden Prairie, MN 55324	Phone: 763-231-0443
Title: Enclosure For 2 PCBs 3" x 3.5"		Fax: 482-626-3635	
Proprietary Information		Scale: 2:1	Sheet: 1 of 1
Drawing: 10229-1		Revision: 10229-1_A	Part: A