

DATATRONIC LIMITED

ENGINEERING SPECIFICATION

Rev. B Date: 12-16-96

LM72019

UL1459 file no. E173817

FEATURES

LM72019 is a low profile transformer for applications where low profiles are required. It is a direct replacement for MIDCOM 671-8001. Additional protection on terminations to prevent wire breakage.

APPLICATIONS

- MODEMS
- LAPTOP COMPUTERS
- TELECOMMUNICATIONS
- INSTRUMENTATION

SPECIFICATIONS:

NOMINAL IMPEDANCE

600 Ohm @ 1KHz, 1V with 470 Ohm termination at secondary

TURNS RATIO

1.00 : 1.00 ±2%

INSERTION LOSS

2.0 dB ±0.5dB

FREQUENCY RESPONSE

±2.5dB max 200-4KHz

D.C. CURRENT

100mA

LONGITUDINAL BALANCE

66 dB min @ 200 to 1000Hz

per FCC 68.310

46 dB min @ 1000 to 4000Hz

DISTORTION

0.15% @600Hz, -10dBm

DIELECTRIC STRENGTH

1500Vrms for 1 min

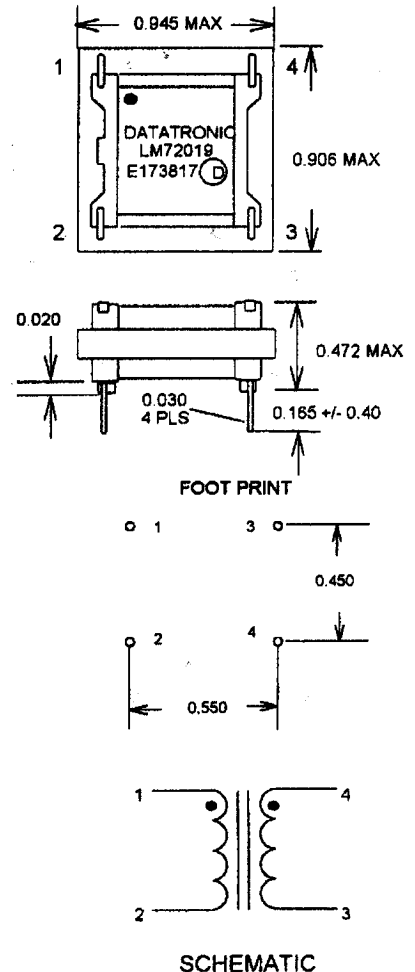
DC RESISTANCE

+/- 15%

Primary 108 Ohms

Secondary 120 Ohms

Mechanical Outline



SPICE EQUIVALENT CIRCUIT

