



Thomas Research Products

SSL Solutions Faster Than The Speed Of Light®

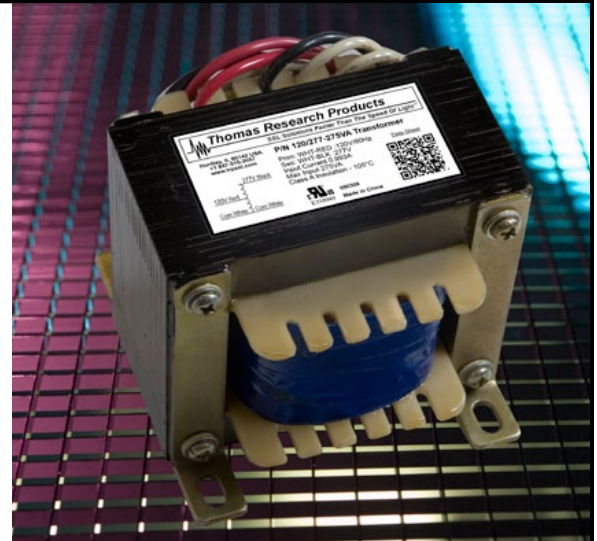
120V:277V Series Step-Up Autotransformers for Lighting Applications

The 120:277V Series Step-Up autotransformers are designed especially for lighting applications, typically used in conjunction with 277V LED Drivers, T-5 or T-8 Electronic Fluorescent Ballasts, Electronic HID and Plasma/Induction Ballasts in Industrial and Commercial applications.

Features

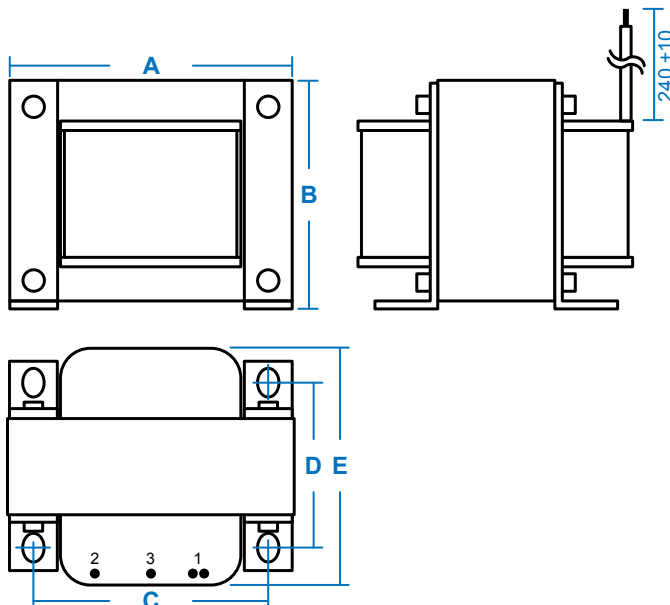
- Input Voltage: 120V, 60 Hz
- Output Voltage: 277V, 60 Hz
- Insulation Rating: 130°C Class B
- Non-isolated Autotransformer
- 5 Year Warranty - Industry Leading

Part Number	Losses	Input Current Max Load	Input Current No Load	Weight (lbs)
120:277-275VA	18W	0.95 A	0.280 A	7.0
120:268:277-500VA	25W	1.77 / 1.71 A	0.220 A	8.6

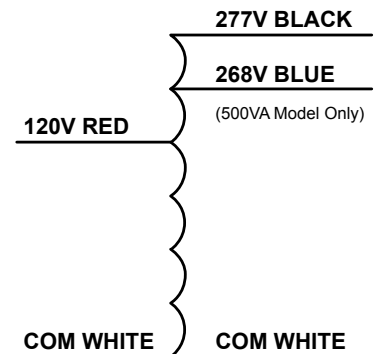


Dimensions

Model	A (in)	B (in)	C (in)	D (in)	E (in)
275VA	3.80	3.15	3.15	3.00	3.30
500VA	4.15	3.50	3.40	3.25	3.75



Wiring



Specifications subject to change without notice.



5-30-14