

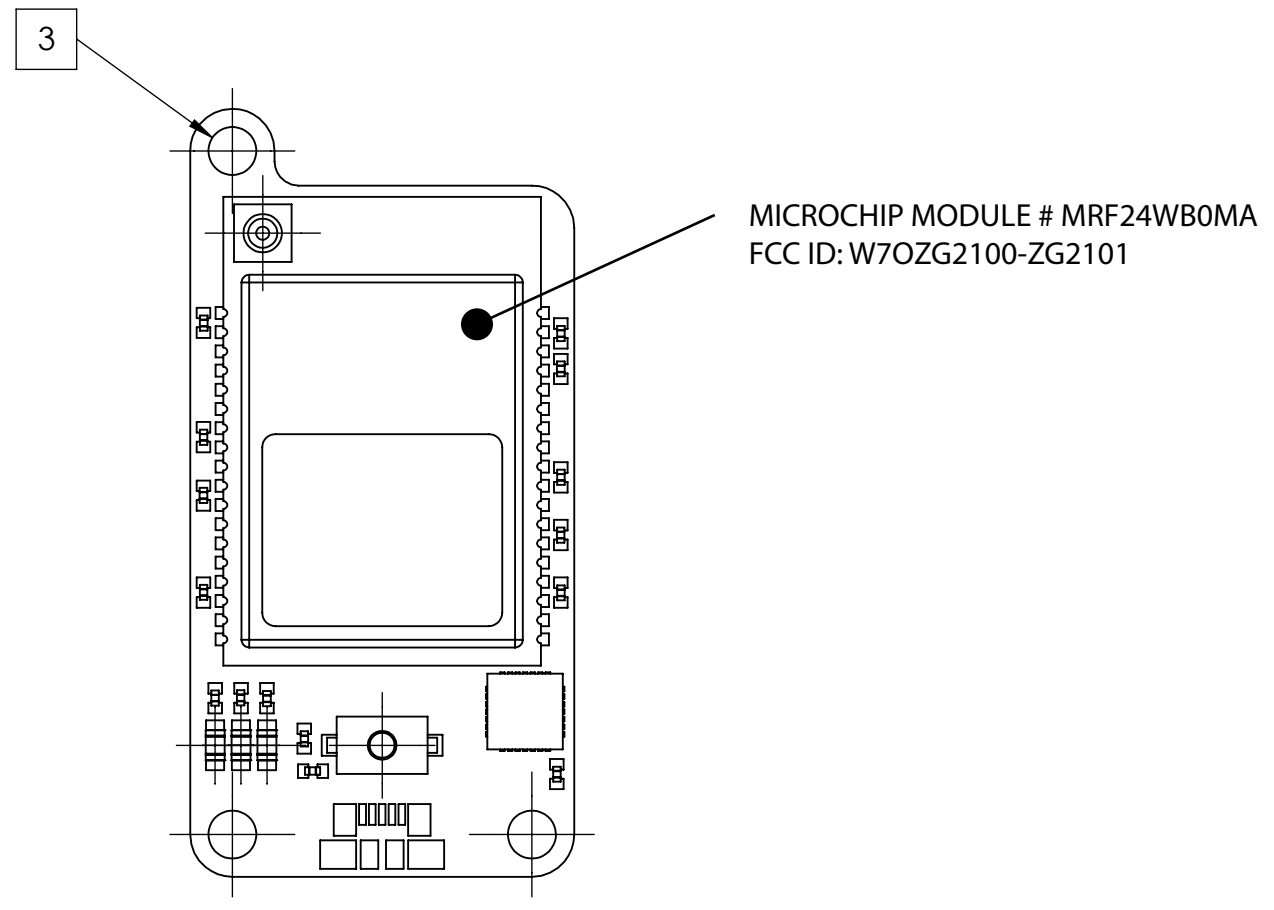
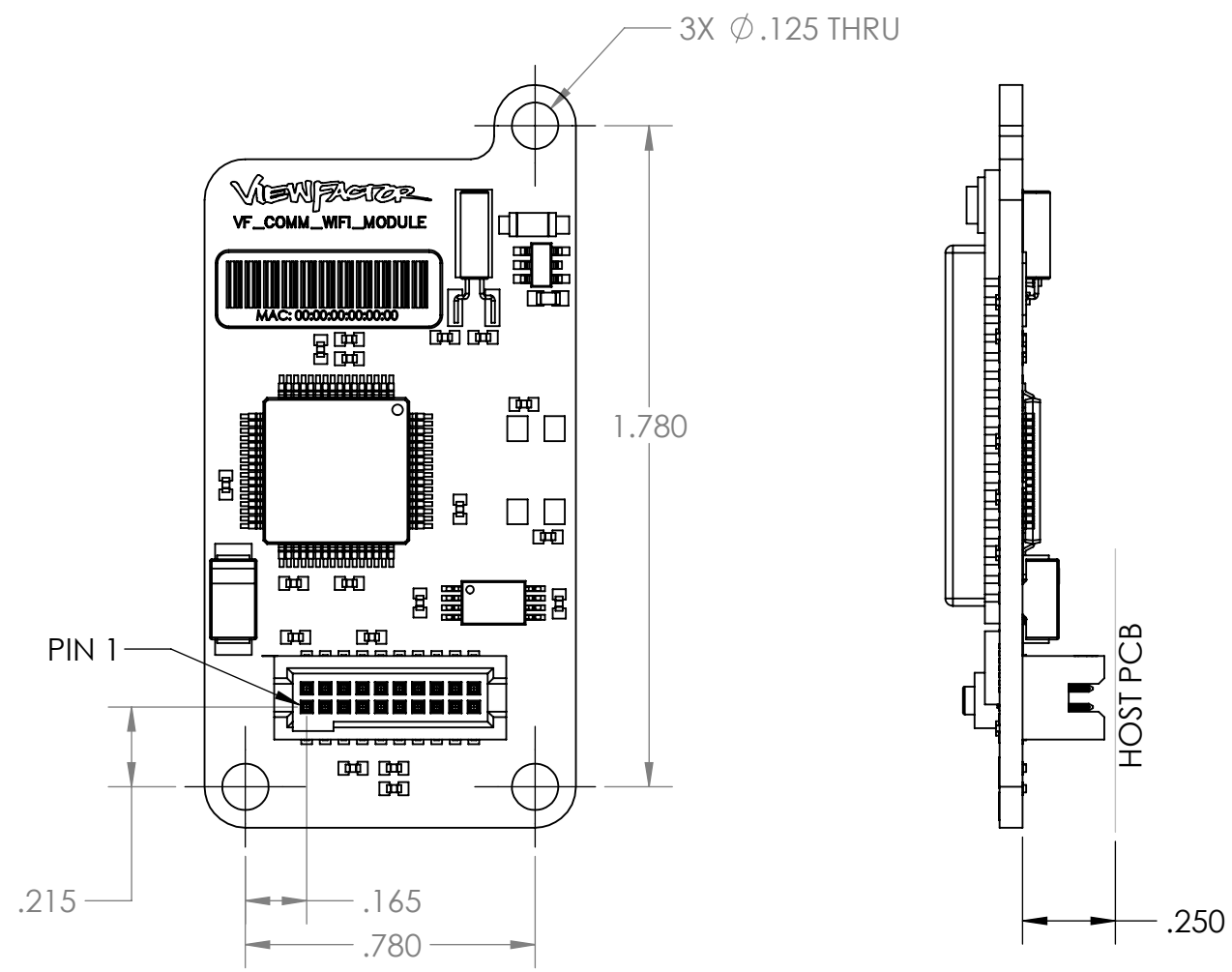
NOTES UNLESS OTHERWISE STATED:

1. THIS IS A COMPUTER GENERATED DOCUMENT. ALL CHANGES MUST BE MADE IN THE MASTER DATABASE.
 2. THIS DRAWING IS TO BE USED IN CONJUNCTION WITH THE 3D GEOMETRY SUPPLIED BY VIEW FACTOR FOR PART GEOMETRY AND DIMENSIONS NOT SHOWN ON THE DRAWING. DIMENSIONS ON THE DRAWING ARE TO BE USED FOR INSPECTION AND PROCESS CONTROL.
- 3 USE PEM# SMTSO-440-8ET FOR PCB MOUNT APPLICATIONS.

REVISIONS				
ZONE	REV.	DESCRIPTION	DATE	APPROVED
	1	PRELIMINARY DRAWING	03/17/12	CVB
	2	CHANGED HEADER	3/17/2012	CVB
	3	MOVED BUTTON / LENGTHENED MODULE	3/17/2012	CVB

D
C
B
A

D
C
B
A



PROPRIETARY AND CONFIDENTIAL
 THE INFORMATION CONTAINED IN THIS DRAWING IS THE SOLE PROPERTY OF VIEW FACTOR STUDIOS LLC. ANY REPRODUCTION IN PART OR AS A WHOLE WITHOUT THE WRITTEN PERMISSION OF VIEW FACTOR STUDIOS LLC IS PROHIBITED.

UNLESS OTHERWISE SPECIFIED:
 DIMENSIONS ARE IN INCHES
 TOLERANCES:
 ANGULAR: MACH ±1 BEND ±3
 TWO PLACE DECIMAL ±.010
 THREE PLACE DECIMAL ±.005

INTERPRET GEOMETRIC TOLERANCING PER:
 MATERIAL **NA**
 FINISH **NA**
 DO NOT SCALE DRAWING

	NAME	DATE
DRAWN	CVB	031712
CHECKED	CVB	031712
ENG APPR.		
MFG APPR.		
Q.A.		
COMMENTS:		

VIEW FACTOR STUDIOS, LLC		
TITLE: MODULE, WIFI, VF COMM		
SIZE B	DWG. NO. VF_COMM_MECH	REV 03
SCALE: 4:1		SHEET 1 OF 1