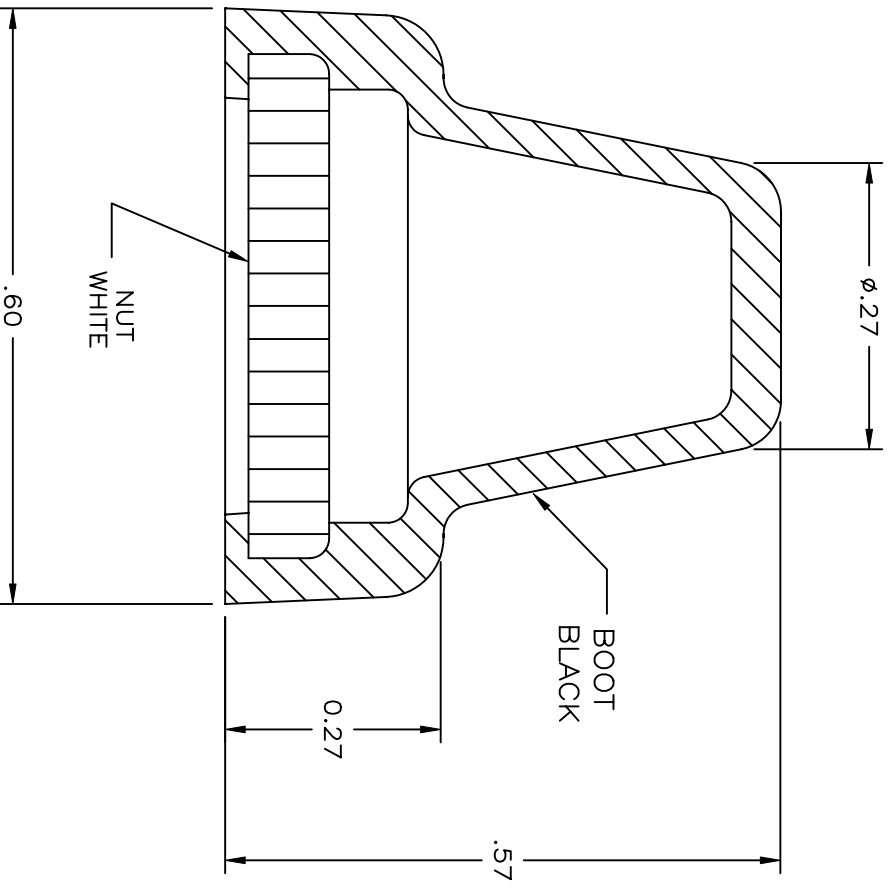


LTR	EN	DESCRIPTION	APPR	BY	DATE
A	-	INITIAL RELEASE	MT	DC	04-01-08



JUDCO INVENTORY NO. 19-1088-00  
 DESCRIPTION: J961 BOOT BLACK KRATON  
 ROHS COMPLIANT

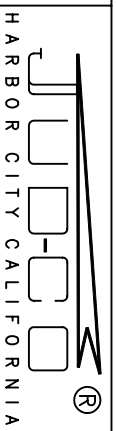
CUSTOMER:

CUSTOMER PN:

APPROVED BY: \_\_\_\_\_

DATE: \_\_\_\_\_

DIMENSIONS IN INCHES  
 DIMENSIONS ARE REFERENCE



TITLE  
 J-961 BOOT .57H  
 BLACK, KRATON

DRAWN: DC 04-01-08  
 APPR: KJ 04-01-08

DWG. NO. 1415-1356

1415U1356A.DWG

SHEET

1 OF 1

This document embodies a product, component, and/or design proprietary to JUDCO MANUFACTURING INC., and which is protected either as a trade secret, by U.S. Patent, or by copyright. It may not be used in any way without written express consent of JUDCO MANUFACTURING INC.